

Stella

Parts Catalog

TABLE - 1
ENGINE ASSY-CRANK CASE

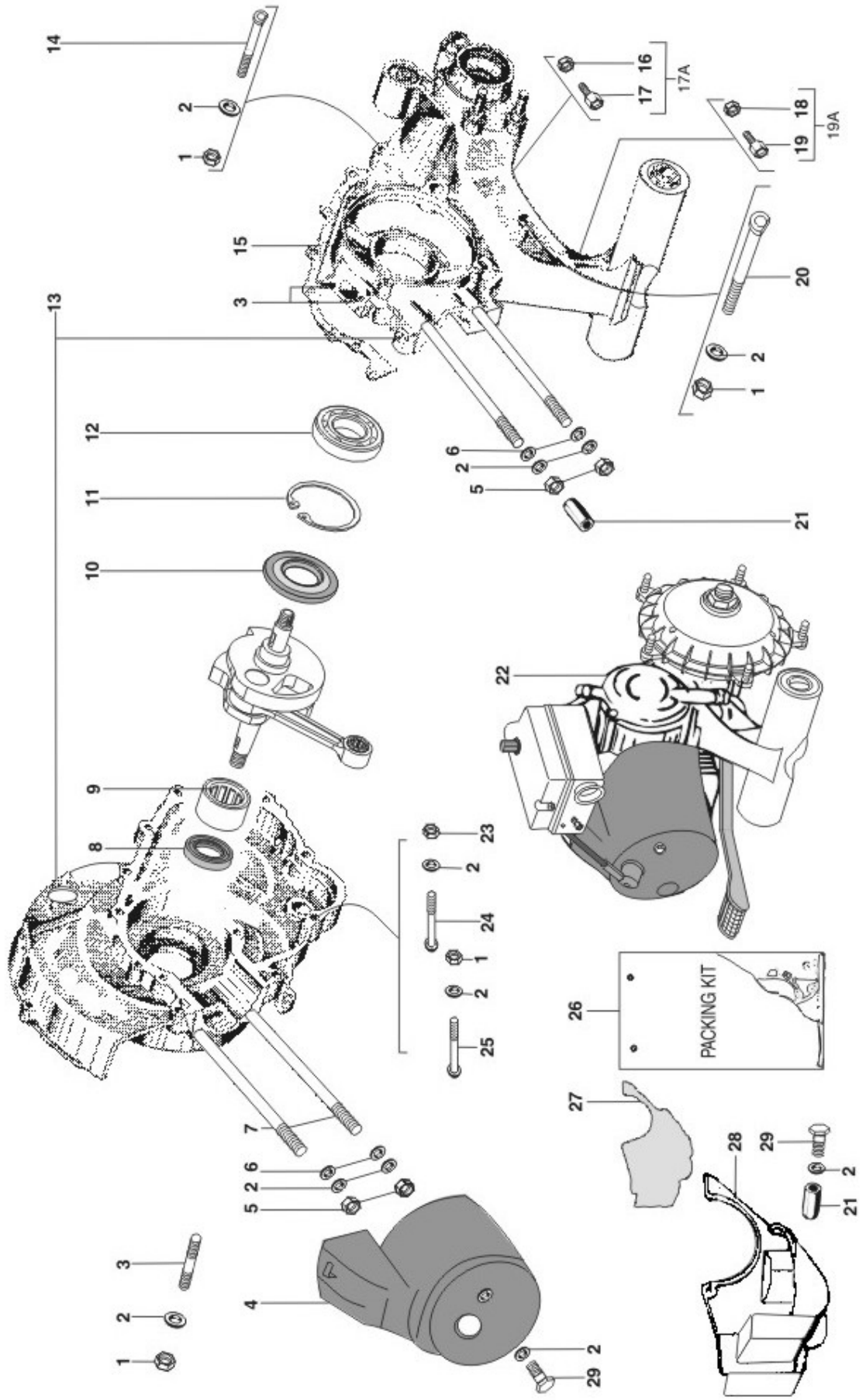


Image #	Part #	Description
1	S-20107	Nut
2	S-6977	Curved washer
3	S-11288/1	Stud
4	C-3721233	Cooling hood
5	S-20007	Nut
6	S-3057	Plain washer
7	C-4709406	Stud
8	158962/3	Oil seal (flywheel side)
9	133068	Bearing (flywheel side)
10	431122	Oil seal clutch side
11	S-6662	Circlip
12	97804	Ball bearing (clutch side)
13	C-4723703	Crank case complete
14	S-8419	Bolt (80 mm)
15	C-2721226	Packing
16	S-20207	Nut
17	23823	Rear brake adj. Screw
17A	158496	Rear brake adj. screw with Nut
18	S-20105	Nut
18A	156400	Clutch adj. Screw
19	181415	Clutch adj. screw with Nut
20	S-14565	Bolt (94 mm)
21	S-1447	Spacer nut
22	C-4723966	Engine complete
23	C-4721830	Square Nut M7
24	C-4721829	Hex Head Bolt M7x49
25	S-12485	Bolt (49 mm)
26	C-4727311	Set of gaskets
27	227174	Sound damping pad
28	C-0727102	Engine protection cover
29	S-15522	Bolt

TABLE - 2
CRANK SHAFT-CYLINDER-PISTON-WRIST PIN-RING ASSY.-SILENCER

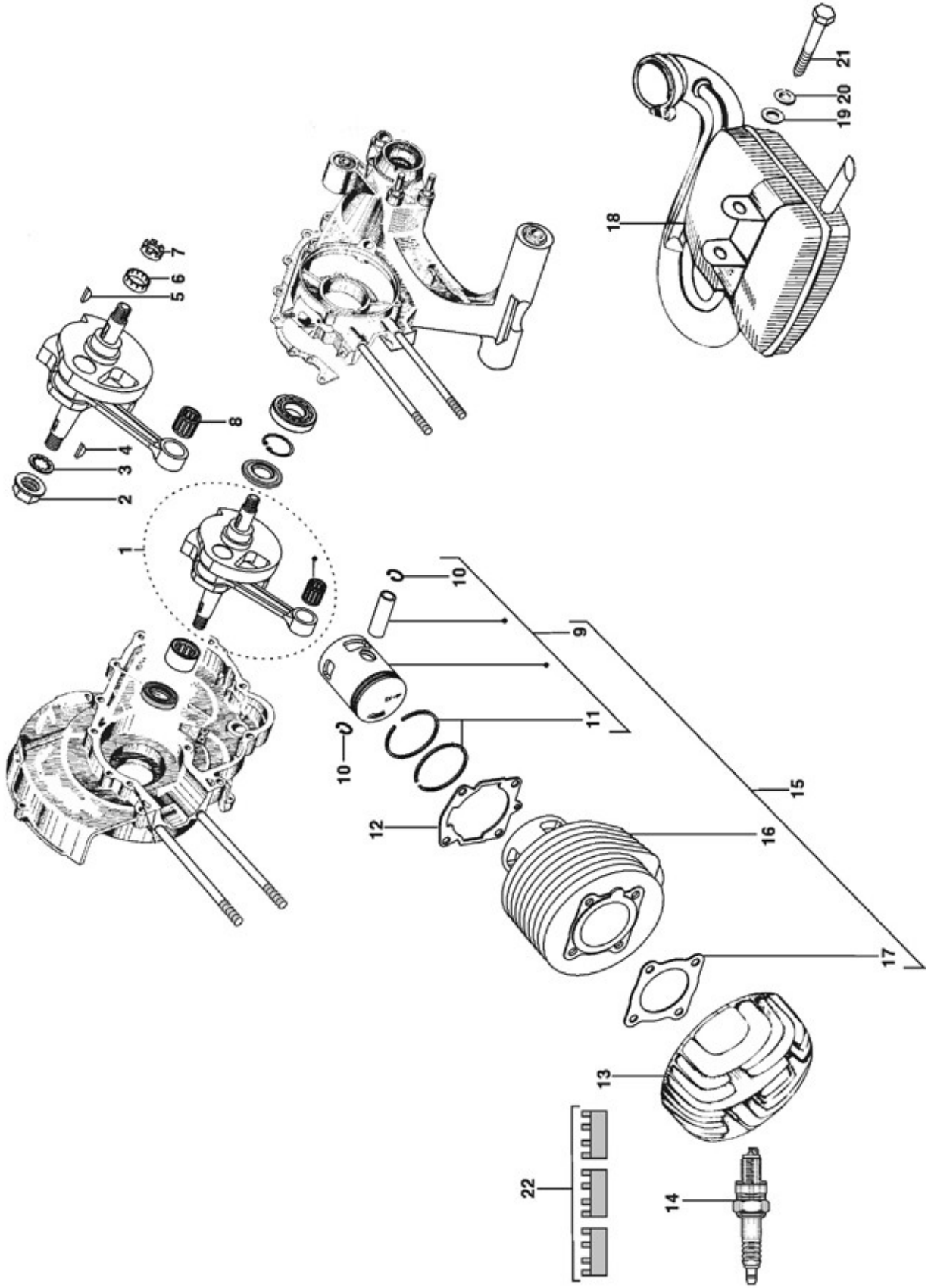


Image #	Part #	Description
1	C-3721374	Crank shaft assy.
2	S-21112	Nut securing flywheel magneto
3	C-4709338	Lock washer
4	267	Key
5	97	Key
6	22313	Lock washer
7	20375	Ring nut
8	93233	Roller cage
8	93233/1	Roller cage grade I
8	93233/2	Roller cage grade II
8	93233/3	Roller cage grade III
8	93233/4	Roller cage grade IV
9	C-4721339	Piston, wrist pin, ring assy. (std.)
9	C-4721340	Piston, wrist pin, ring assy. (1st o/s)
9	C-4721341	Piston, wrist pin, ring assy. (2nd o/s)
9	C-4721342	Piston, wrist pin, ring assy. (3rd o/s)
10	S-6615	Circlip for wrist pin
11	C-4721227	Piston ring (normal)
11	C-4721344	Piston ring (1st o/s)
11	C-4721345	Piston ring (2nd o/s)
11	C-4721346	Piston ring (3rd o/s)
12	C-4721234	Packing, Cylinder Block & C/Case (Al.)
13	C-2721660	Cylinder head
14	C-4714878/RC	Spark plug (RN9YC)
15	C-4727317	Cylinder, piston, wrist pin, ring assy.
16	C-0721662	Cylinder block
17	C-4709830	Cylinder head packing (0.2 mm)
18	C-4727207	Silencer assy. (Muffler Comp.)
19	PRS4-1333	Plain washer
20	S-16410	Spring washer
21	C-4718148	Silencer bolt
22	244355	Damping pad for cylinder head

TABLE - 3
CLUTCH-AUTOMATIC OIL MIXER

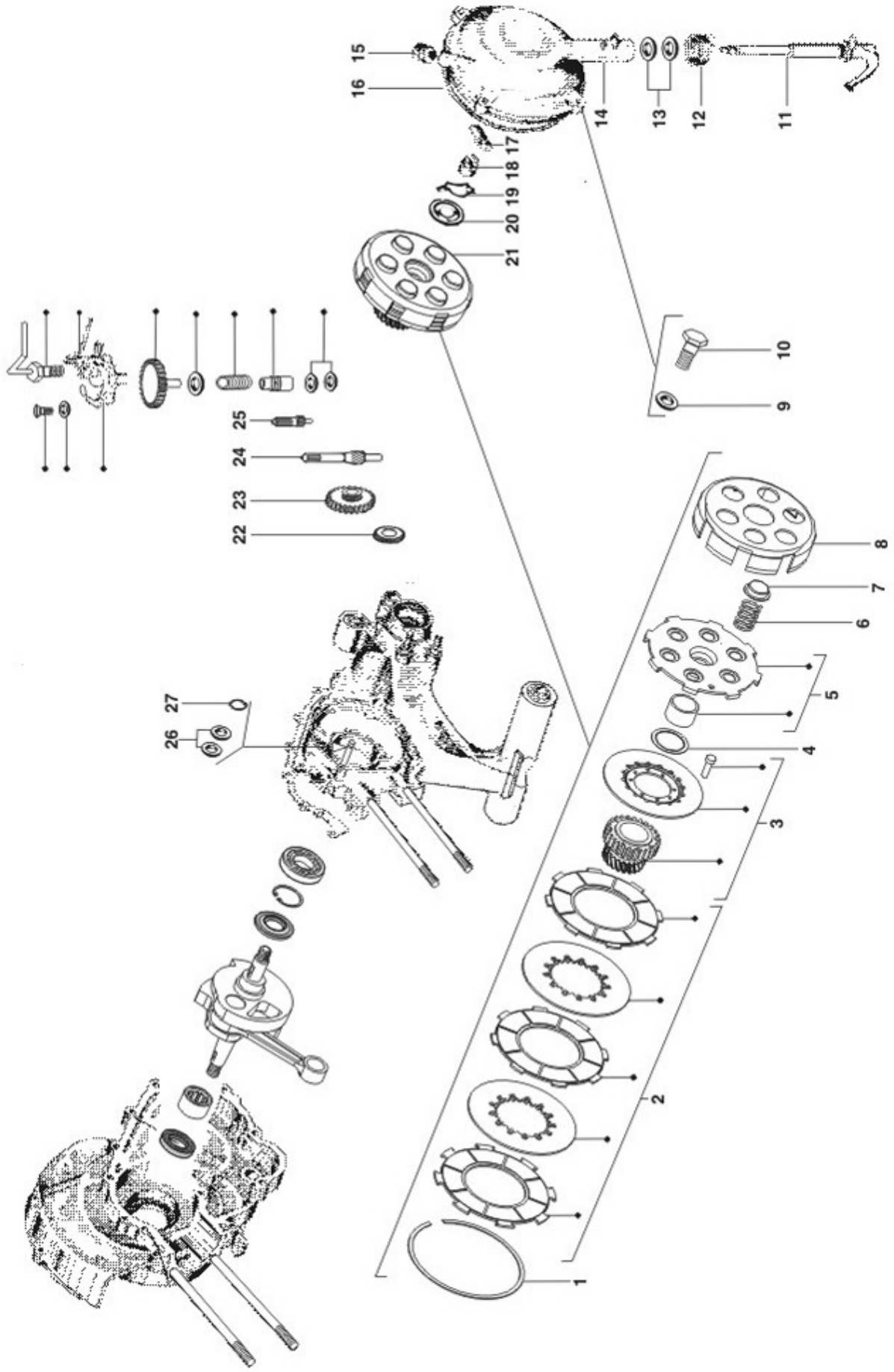


Image #	Part #	Description
1	38477	Circlip
2	C-4712751	Drive plate kit
3	C-4712330	Engine gear assy.
4	59109	Stop washer
5	159853	Clutch bush assy.
6	C-4723366	Spring
7	21868	Cap
8	245829	Clutch case (box)
9	S-6976	Curved washer
10	S-31091	Bolt
11	97984	Outer Lever
12	46740	Spring
13	S-6708	Packing
14	50100	Clutch Cover
15	19301	Breather assy.
16	17781	Packing
17	83806	Inner Lever
18	89858	Actuating pad
19	14457	Retainer ring
20	215809	Pressure plate
21	C-3712329	Clutch assy.
22	287038	Mixer control gear
23	236402	Gear assy.
24	C-3723690	Sprocket gear Big
25	C-3723691	Sprocket gear Small
26	133223	Washer
27	S-6408	Circlip

TABLE - 4
GEAR GROUP

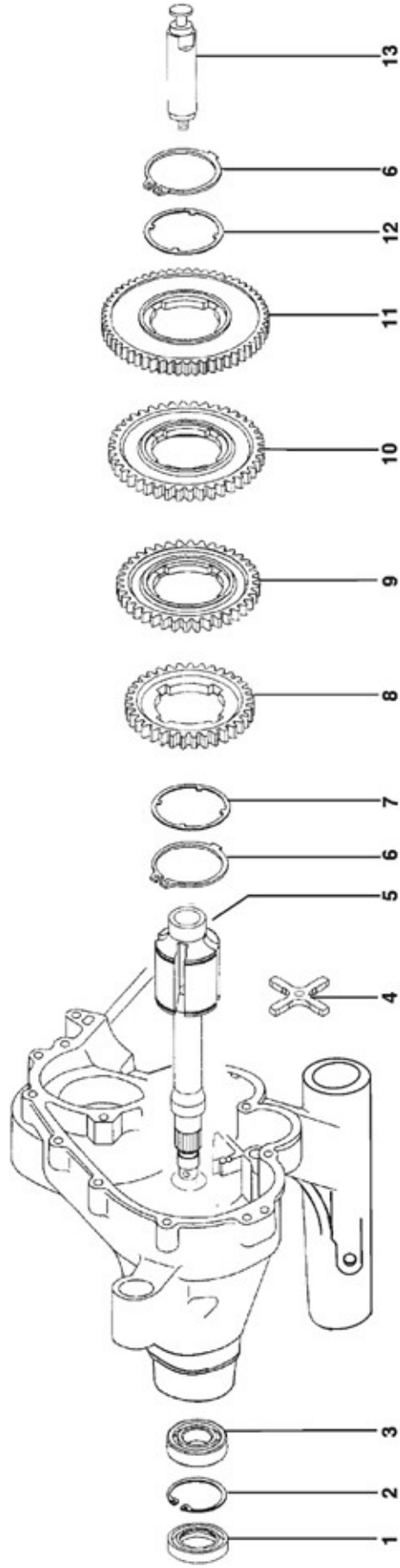


Image #	Part #	Description
1	S-8714	Oil seal
2	S-6647	Circlip
3	434735	Bearing
4	223225	Selector spider
5	C-1727158	Drive shaft
6	S-9101	Circlip
7	111996	Shoulder washer (std.)
8	223234/M1	4th gear
9	223233/M1	3rd gear
10	152805/M1	2nd gear
11	223231/M1	1st gear
12	112008	Shoulder washer (1st o/s)
12	112009	Shoulder washer (2nd o/s)
12	112010	Shoulder washer (3rd o/s)
12	112011	Shoulder washer (4th o/s)
13	223232	Gear control rod

TABLE - 5
SPRING GEAR-KICK STARTER

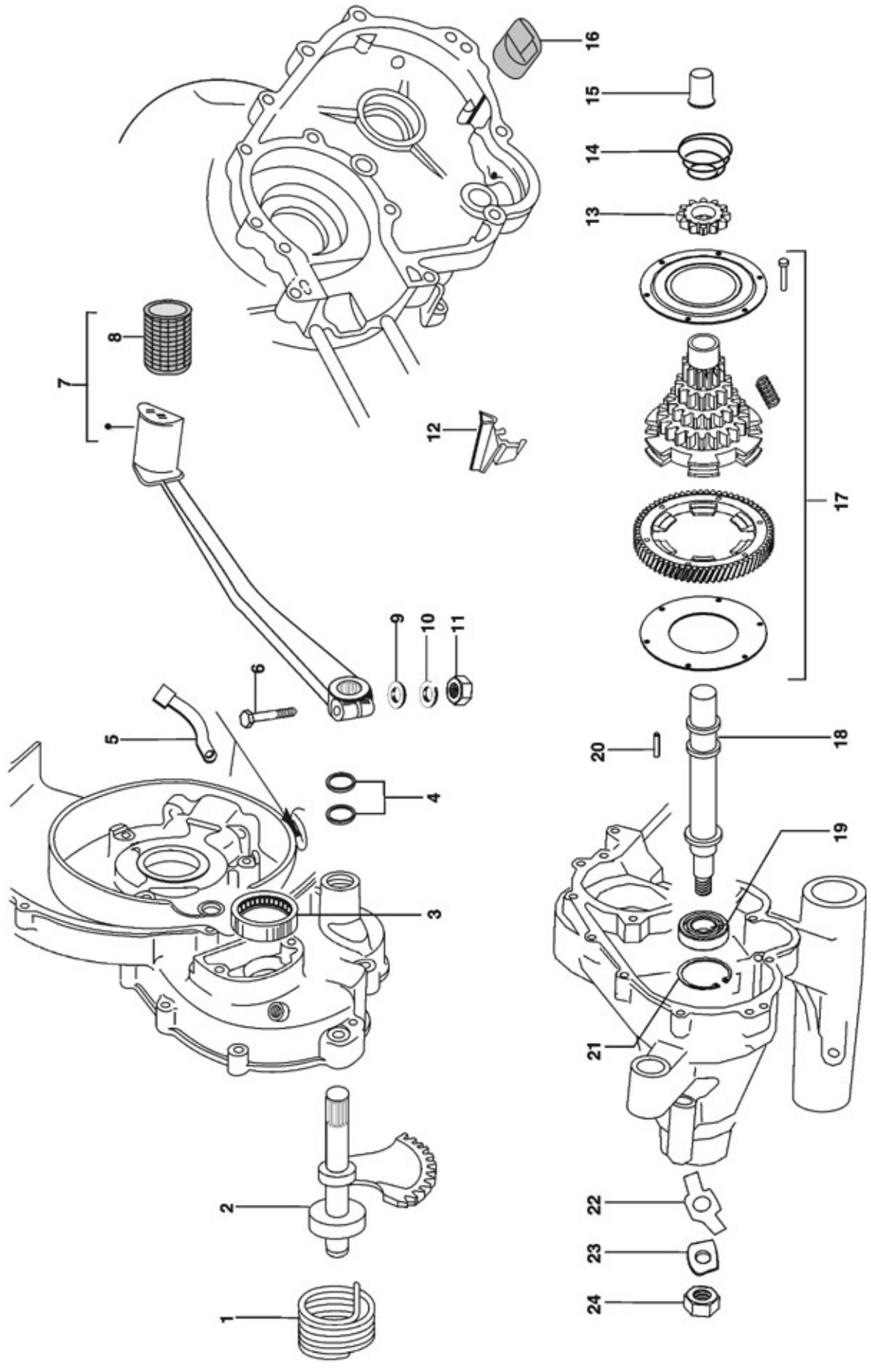


Image #	Part #	Description
1	C-4706411	Lever return spring
2	148571	Starter sector
3	106956	DC roller bearing
4	S-6721	Rubber washer
5	82385	Plate for gear change cable
6	C-4706412	Kick lever securing bolt
7	147980	Kick starter lever with buffer
8	241004	Protective sleeve
9	S-3038	Plain washer
10	S-16408	Spring washer
11	S-20008	Nut
12	146129	Oil conveyor rib
13	113526	Starter gear
14	139100	Spring for starter gear
15	174514	Bearing shell for cluster gear
16	C-4723975	Buffer
17	174735	Spring gear assy.
18	C-3723491	Gear cluster shaft
19	30209	Ball bearing
20	2457	Roller
21	S-6642	Circlip
22	C-4723490	Stop washer
23	C-4723637	Plain washer
24	S-15231	Pin securing nut

TABLE - 6
GEAR SELECTOR

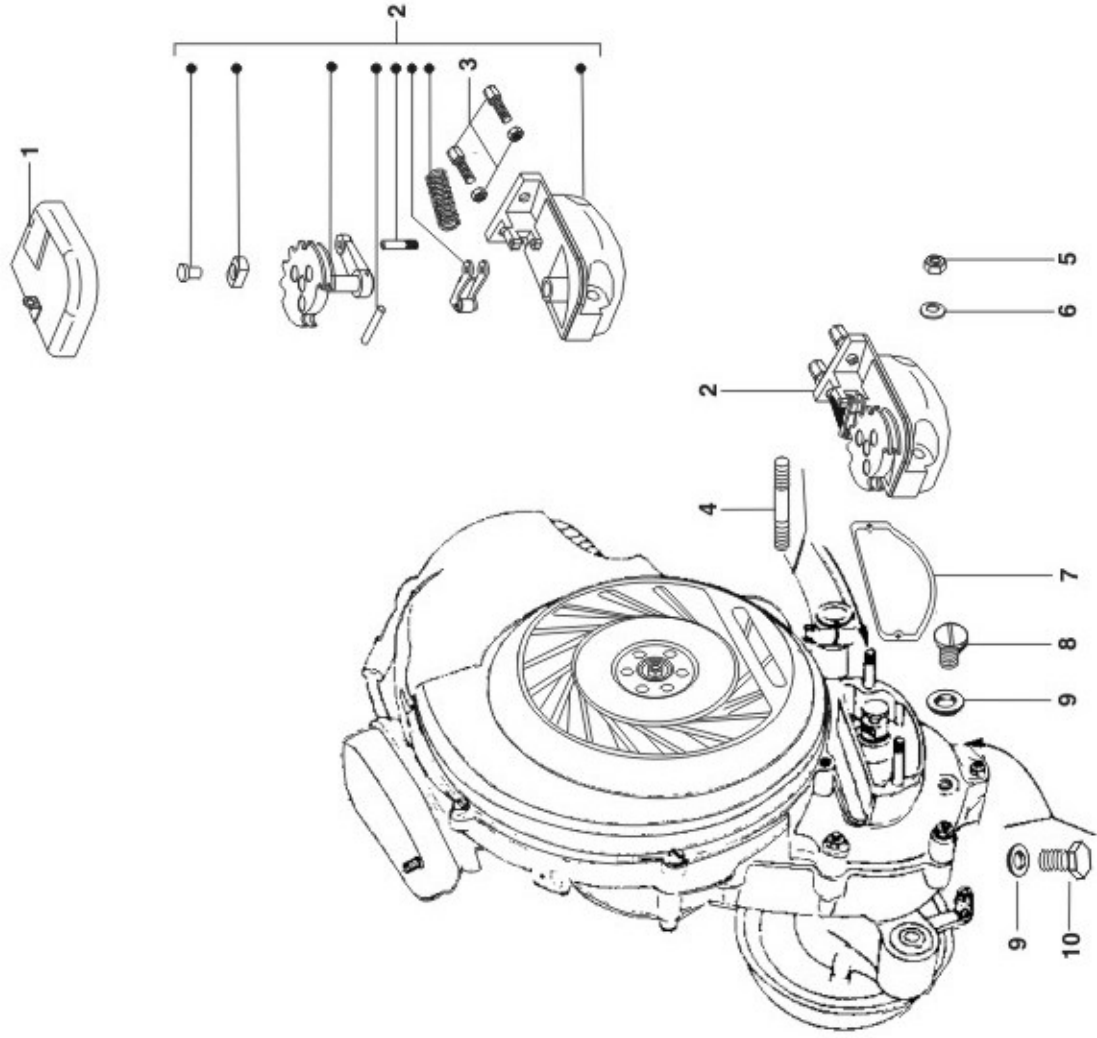


Image #	Part #	Description
1	138865	Selector bracket cover
2	C-4723135	Gear control assy.
3	158495	Adjusting screw with nut
4	S-11288/1	Stud
5	S-20107	Nut
6	S-6977	Curved washer
7	47162	Packing
8	S-30280	Oil filler plug
9	397	Packing
10	138345	Oil drain cap

**TABLE - 7
FLY WHEEL MAGNETO**

Stella

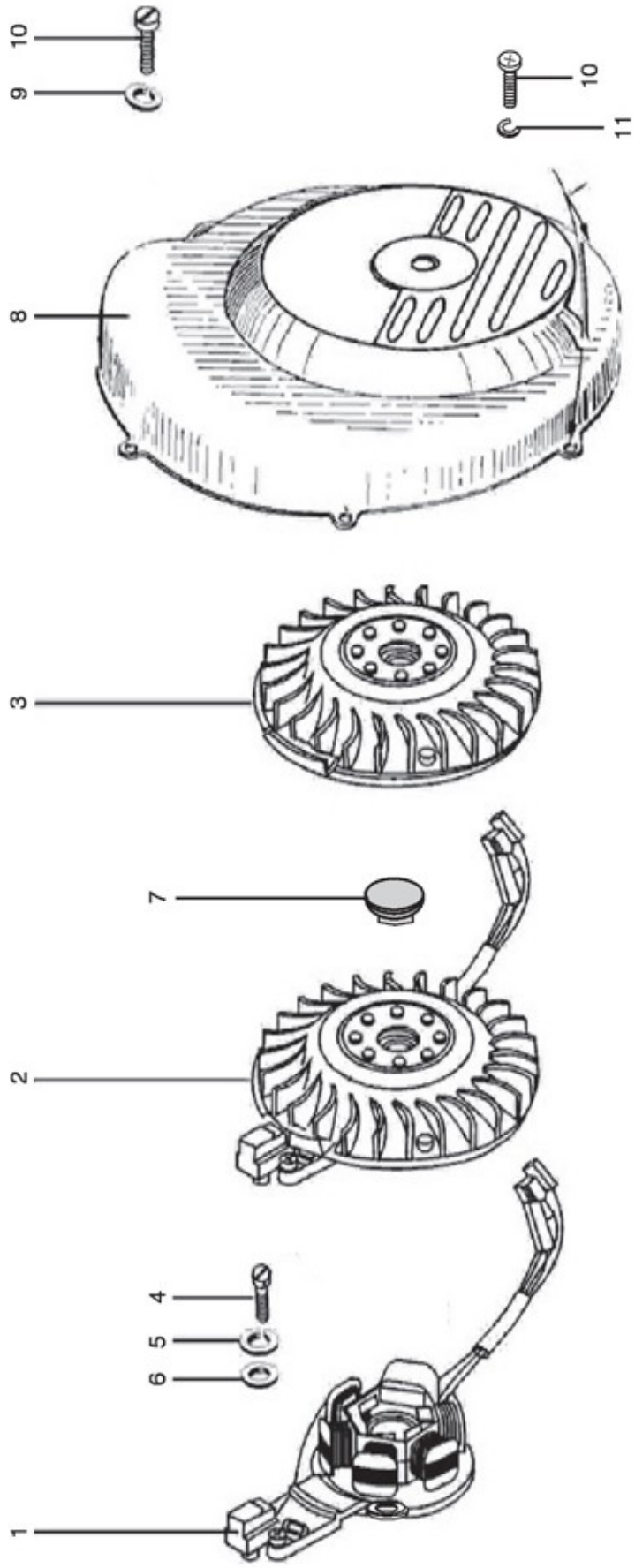


Image #	Part #	Description
1	C-2721803	Back plate assy.
2	C-2721802	Flywheel magneto assy.
3	C-2721273	Rotor with fan
4	C-4706727	Back plate sec. screw
5	S-6965	Wave washer
6	C-4727204	Plain washer
7	C-4723108	Flywheel cap
8	C-4727195	Fan cover (Chrome Plated)
9	S-16406	Spring washer
10	S-15946	Cover securing screw
11	78307	Spring washer

**TABLE - 8
CARBURETTOR - AIR CLEANER**

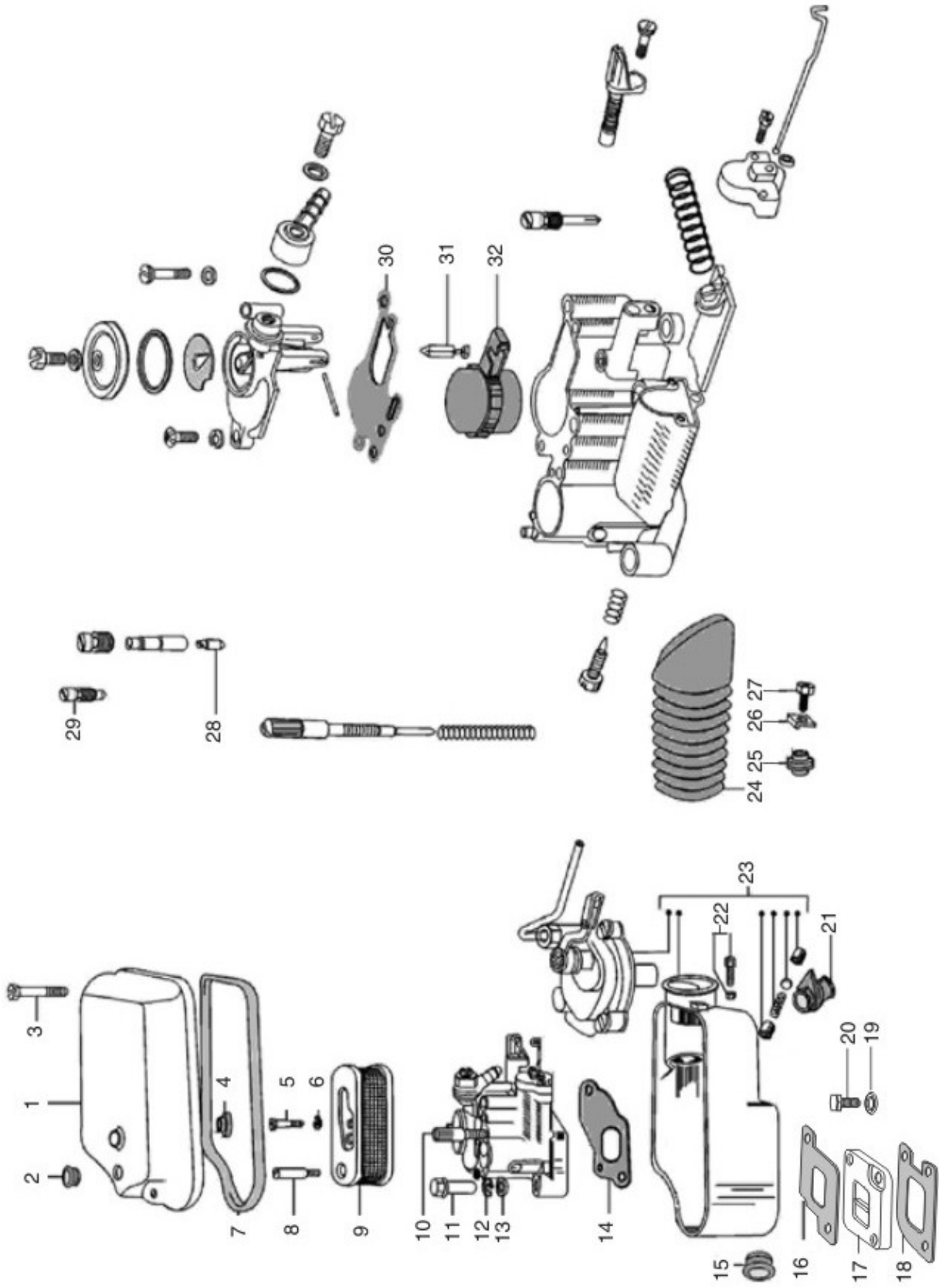


Image #	Part #	Description
1	239030	Air cleaner cover
2	87975	Plug
3	235747	Cover securing screw
4	58364	Packing for idling screw
5	S-14436	Screw for securing air cleaner
6	S-16405	Spring washer
7	58853	Beading air cleaner
8	S-14743	Screw for securing air cleaner
9	C-4721983	Air Filter assy.
10	C-1723127	Carburetor assy.
11	49542	Bolt for securing carburetor
12	S-16409	Spring washer
13	S-13762	Plain washer
14	C-4718681	Packing between Carb. & AC Box
15	C-4707995	Plug
16	C-4723698	Packing between AC box & reed valve
17	C-3723695	Reed valve
18	C-4723692	Packing between C/Case & reed valve
19	S-6976	Curved washer
20	S-15946	Screw for Reed Valve Mtg.
21	113060	Grommet
22	C-4718070	Adjuster screw for throttle cable with Nut
23	C-3723686	Air Cleaner box assy.
24	181476	Bellow
25	113059	Grommet for oil pipe
26	146087	Lock plate
27	146086	Screw
28	C-4709142	Main jet 94
29	C-4709819	Slow running jet 40/130
30	150131	Packing
31	247512	Needle
32	85293	Float

**TABLE - 9
FUEL TANK - FUEL COCK - OIL TANK**

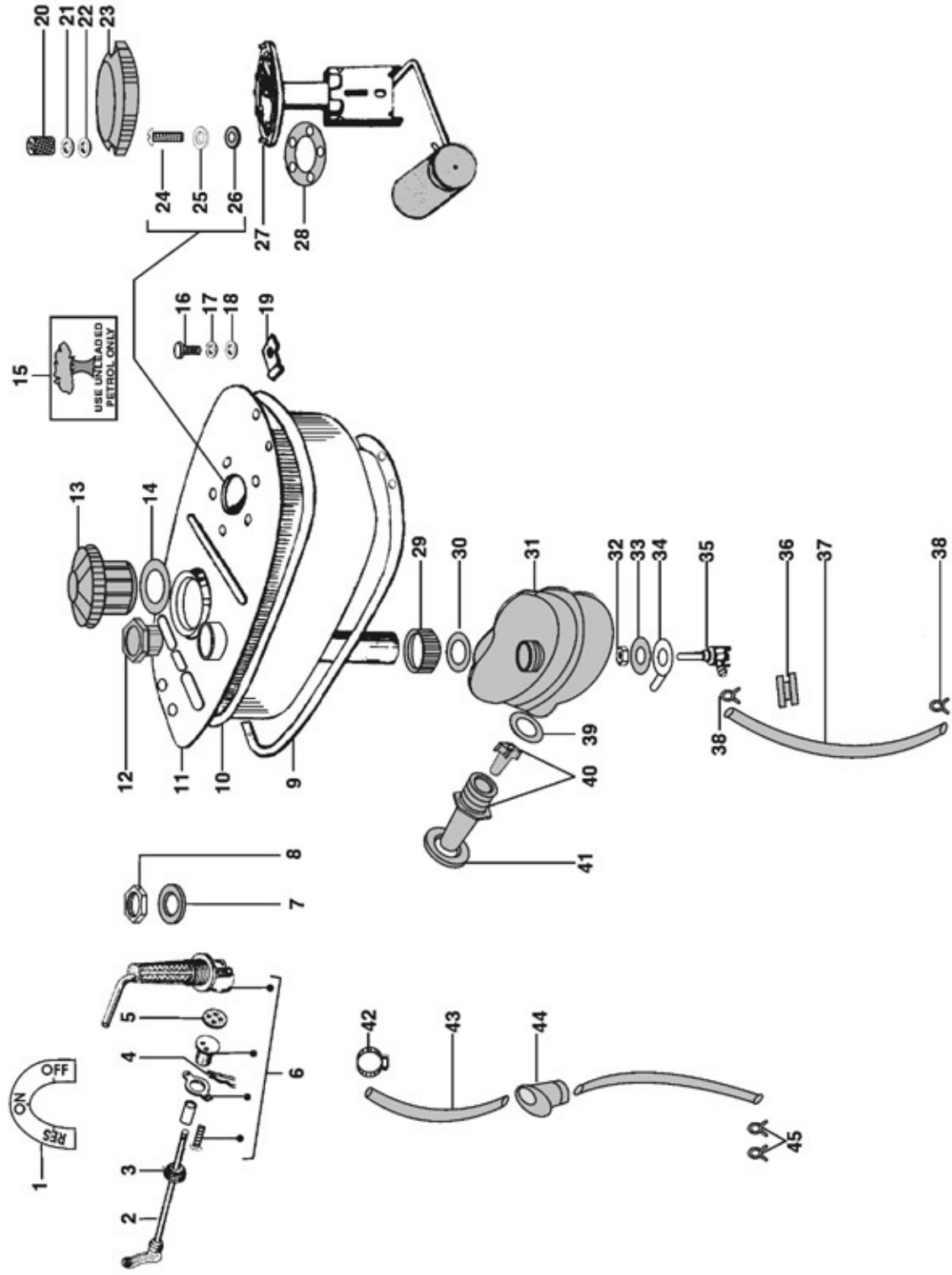


Image #	Part #	Description
1	C-4710589	Sticker for fuel ON, OFF & RES.
2	103202	Fuel cock rod
3	194631	Packing for F.C. rod
4	15467	Spring clip
5	414779	Gasket Four hole – Fuel cock
6	226565/1	Fuel cock assy.
7	139933	Gasket – fuel cock
8	138935	Fuel cock sec. nut
9	159804	Gasket fuel tank
10	C-4705706	Fuel tank cover beading
11	C-4723019	Fuel tank assy.
12	102585	Oil tank plug
13	C-3723162	Fuel tank cap
14	C-4723161	Packing fuel tank cap
15	C-4718768	Sticker "Unleaded Petrol Only"
15A	C-4718769	Sticker "Use Recommended Oil"
15B	199907	Sticker "Gasoline"
16	S-31118	Bolt
17	S-16408	Spring washer
18	S-3058	Plain washer
19	C-4709202	Clip for holding FG wire
20	C-4709383	Nut knurling
21	S-16404	Spring washer
22	S-3054	Plain washer
23	C-3709164	Cap for float unit
24	S-30387	Screw
25	S-3055	Plain washer
26	C-4703147	Nylon washer
27	C-4703281/3	Float unit
28	C-3703146	Rubber gasket
29	156490	Ring nut
30	156491	Packing
31	137353	Oil tank
32	S-21210	Nut
33	156039	Packing
34	245451	Washer
35	156038	Connector oil tank
36	15478	Grommet for oil pipe
37	104294	Oil tube
38	104296	Spring clip
39	102587	Packing
40	155526	Bowl complete
41	102586	Packing
42	C-4712520	Hose clamp for fuel pipe
43	104293	Fuel pipe
44	84262	Grommet
45	97248	Pipe securing spring clip

TABLE - 10
REAR BRAKE DRUM

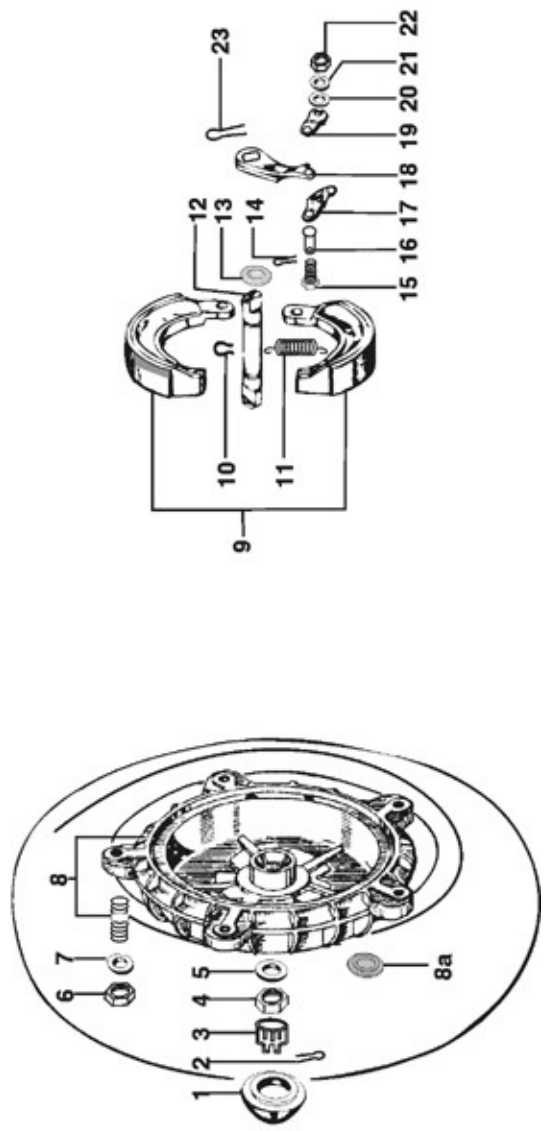
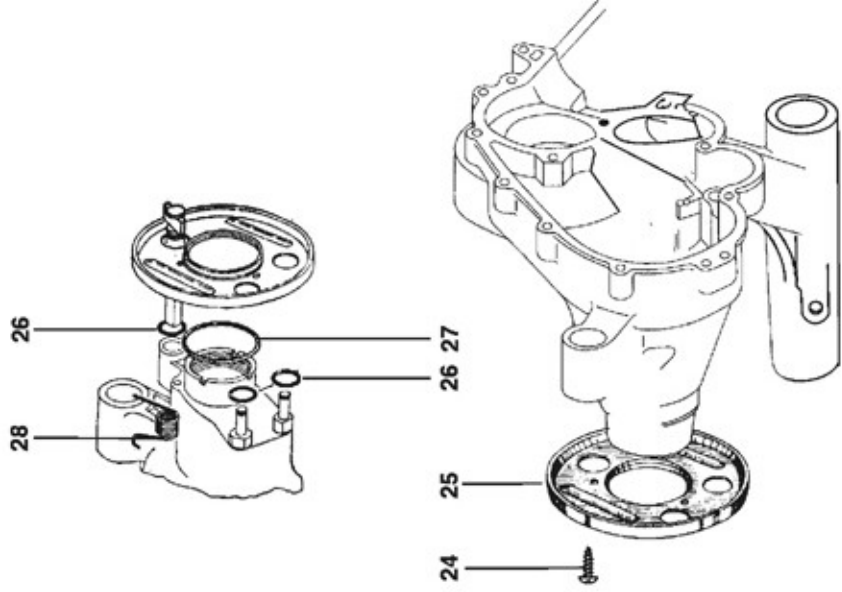


Image #	Part #	Description
1	198015	Brake drum cap
2	S-12789	Split pin
3	194423	Lock cap
4	194424	Drum securing nut
5	C-4727160	Washer
6	S-20108	Nut
7	S-16408	Spring washer
8	C-4723921	Brake drum assy.
8A	C-4723935	Plug for rear brake drum
9	C-4721957	Brake jaw set
10	61	Circlip
11	78522	Shoes return spring
12	78168	Shaft for brake lever
13	S-6714	Packing
14	S-12761	Split pin
15	S-15510	Brake cable securing bolt
16	90306	Pin for plate
17	94779	Plate
18	215572	Lever
19	42047	Brake plate
20	S-13940	Cable securing washer
21	S-12539	Spring washer
22	S-15317	Cable securing nut
23	S-3208	Split pin
24	121668	Plate securing screw
25	78482	Dust cover
26	139433	Packing for plate (small)
27	78163	Packing for plate
28	78521	Lever return spring

TABLE - 11
STEERING COLUMN - MUDGUARD - FRONT HUB - CALIPER ASSY.

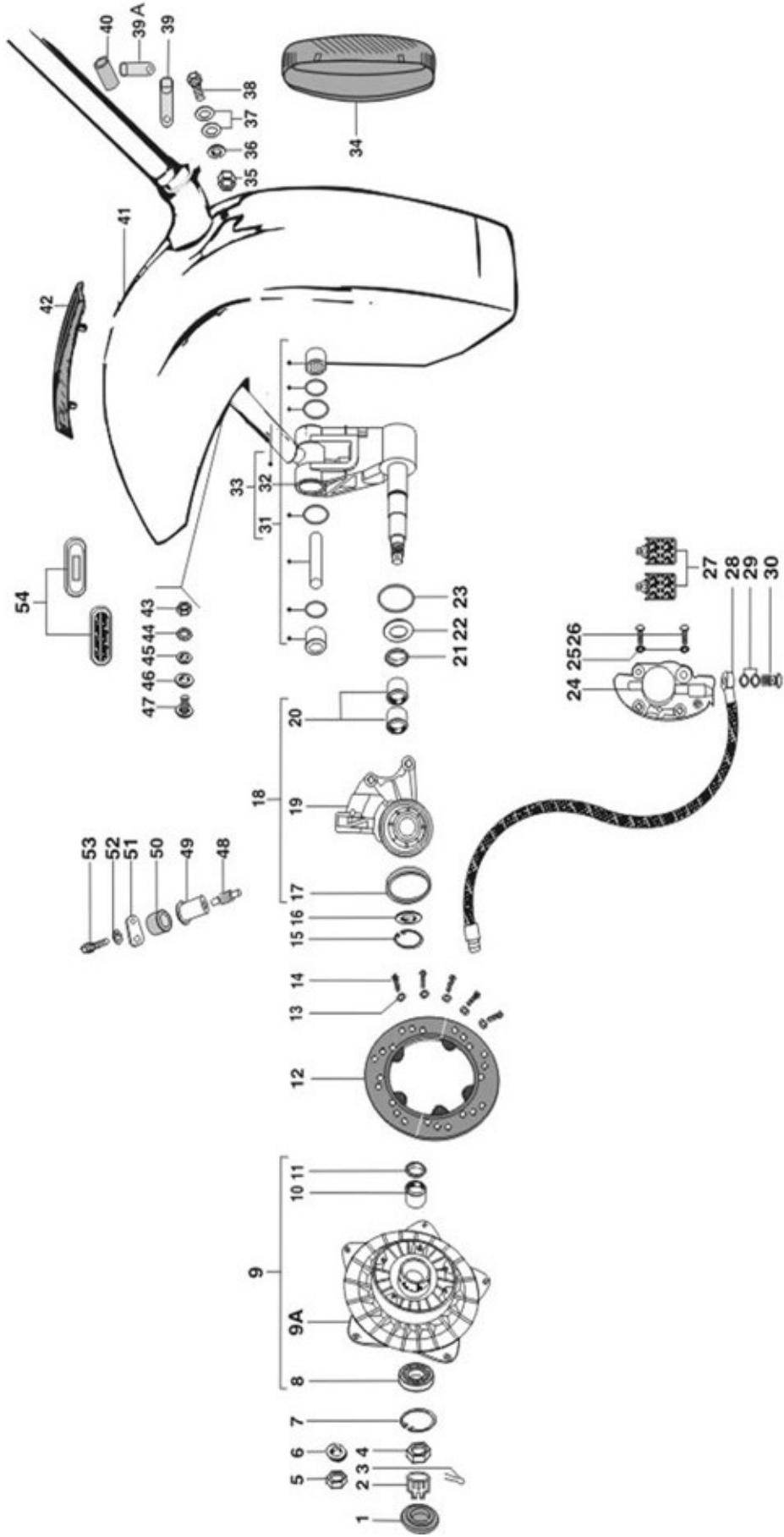


Image #	Part #	Description
1	197983	Cap (plastic)
2	177609	Cap (metal)
3	S-12787	Split pin
4	S-21114	Nut
5	S-20108	Nut
6	S-16408	Spring washer
7	S-6635	Circlip
8	177610	Bearing
9	C-4721636	Front Hub Complete
9A	C-3721413	Front Hub Assy.
10	177442	DC roller bearing
11	177443	Oil seal
12	C-3721415	Steel Disc
13	C-4721619	Spring washer
14	C-4721620	Sph. Hd. Socket Screw (Disc Mtg.)
15	S-6422	Circlip
16	177414	Spacer
17	177494	Oil seal
18	C-4721637	Caliper Holder Plate with Bearing
19	C-1721412	Caliper Holder Plate
20	177436	DC roller bearing
21	177521	Oil seal
22	177445	Spacer
23	177408	Ring
24	C-4723407	Caliper Assy.
25	S-12540	Star washer (Caliper Mtg.)
26	C-4706499	Hex Head Screw
27	C-4721834	Disc Brake Pad
28	C-2723904	Hose Assy. - Braided
29	C-4721622	Copper washer
30	C-4721621	Banjo bolt
31	D-1022	Mini suspension kit
32	178051/A	Link front suspension
33	216744/A	Steering column assy. with arm
34	C-3721676	Link cover
35	S-20106	Nut
36	S-16406	Spring washer
37	S-13880	Washer
38	S-30050	Bolt
39	C-4723382	Clamp for hose
39A	C-4723387	Hose Clamp
40	C-4723394	Grommet hose fixing
41	C-1721729	Mudguard assy.
42	C-2727065	Crest
43	S-20105	Nut
44	S-12528	Star washer
45	60201	Plain washer
46	S-6018	Plain washer
47	S-14467	Bolt
48	177508	Speedo drive pinion
49	C-4721611	Pinion support
50	C-4721623	Plug
51	C-4723099	Securing plate
52	S-3058	Washer for securing plate
53	S-31054	Bolt
54	C-4727020	Reflex reflector on mudguard

TABLE - 12
SECURITY LOCK - FRONT & REAR SHOCK ABSORBER

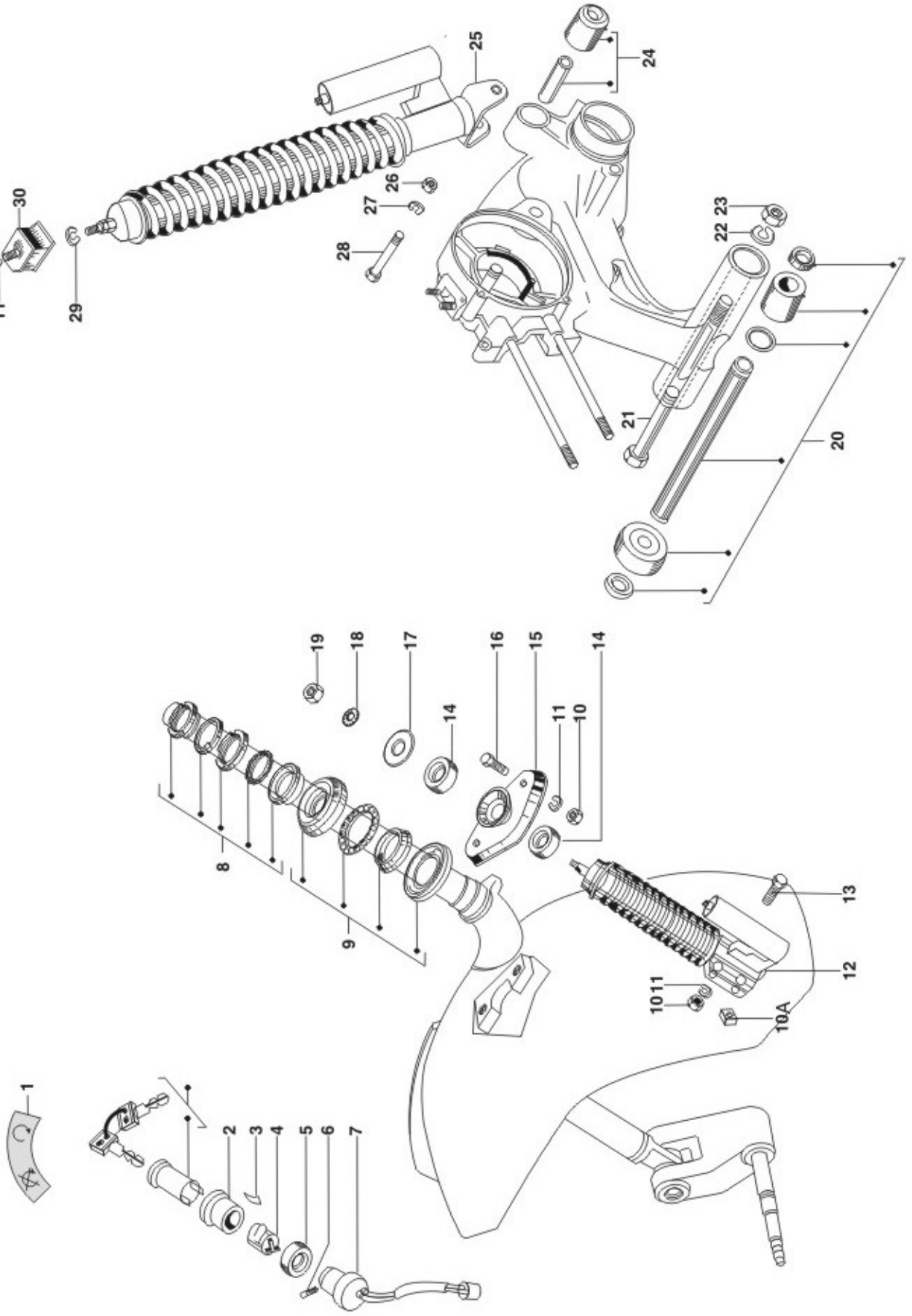


Image #	Part #	Description
1	C-4721911	On-Off sticker for ignition switch
2	C-4710590	Housing (steering lock)
3	178559	Spring plate
4	178562	Lock bar
5	C-4712287	Gasket
6	S-18515	Screw
7	C-4718579	Ignition switch
8	153025	Upper ball cage set
9	153024	Lower ball cage set
10	S-20108	Nut
10A	C-4721635	Square Nut
11	S-16408	Spring washer
12	C-2723591	Front Shock Absorber (Bitubo)
13	C-4721524	Bolt
14	C-4721916	Upper buffer
15	174806	Upper plate
16	S-31118	Bolt
17	174088	Upper washer
18	S-12535	Spring washer
19	S-21210	Nut
20	C-4721921	Engine mtg. buffer & tube kit
21	81803	Bolt
22	S-16414	Spring washer
23	S-21214	Nut
24	D-1014	Damper tube with buffer
25	C-2723592	Rear Shock Absorber (Bitubo)
26	S-20210	Nut
27	S-16410	Spring washer
28	C-4721525	Bolt
29	S-16409	Spring washer
30	60536	Spring support
31	S-20008	Nut

Image #	Part #	Description
1	S-31089	Bolt for mtg. rear protection of frame
2	S-3056	Plain washer
3	S-16406	Spring washer
4	C-4710872	Cup washer
5	S-20106	Nut
6	C-4727021	Reflex reflector for RPF
7	227109	Rear protection of frame
8	242092	Chassis seal cover
9	C-4709303	Plain washer
10	C-4709304	Bolt for number plate lower
11	C-4727156	Reinforcement plate
12	C-4718600	Air filter comp. with plate
13	C-4718094	Packing for support plate
14	C-4727253	Frame primered
15	149943	Wind shield beading
16	C-3712871	Chassis terminal cover
17	C-3727201	Name plate STELLA on wind shield
18	199190	Plug
19	S-3055	Plain washer
20	S-8372	Self tapping screw
21	C-3727202	Badge on steering column cover
22	C-2723368	Steering column cover
23	C-3727203	Name plate for Steering column cover
24	C-3727067	Grill
25	S-9000	Screw for grill
26	183774	Nut (plate)
27	C-4703383	Self tapping screw
28	192371	Noise suppressor cap
29	C-3727225	HT Coil
30	S-15597	Screw for HT Coil mtg.
31	S-16405	Spring washer
32	C-4723198	HT Coil mtg. bracket
33	S-8375	Screw for bracket mtg.

**TABLE - 14
COWLS - GLOVE COMPARTMENT**

Stella

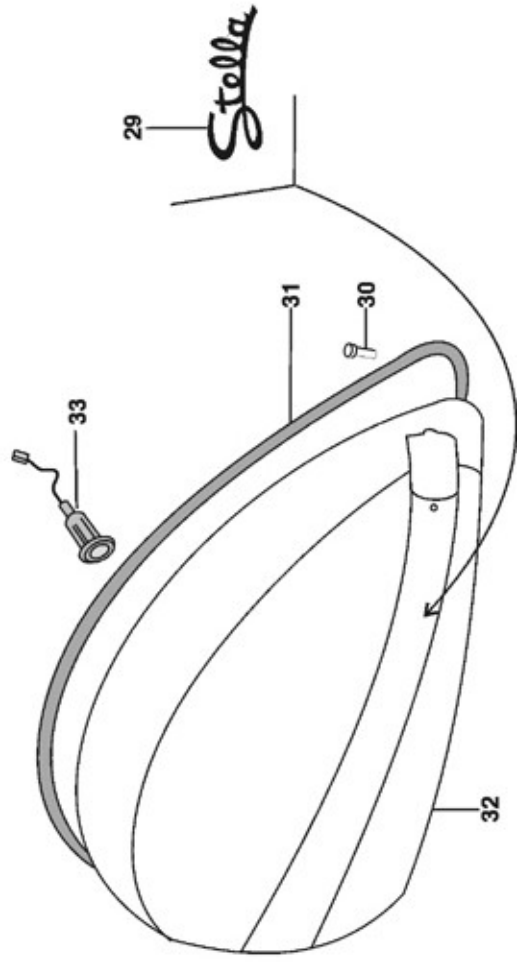
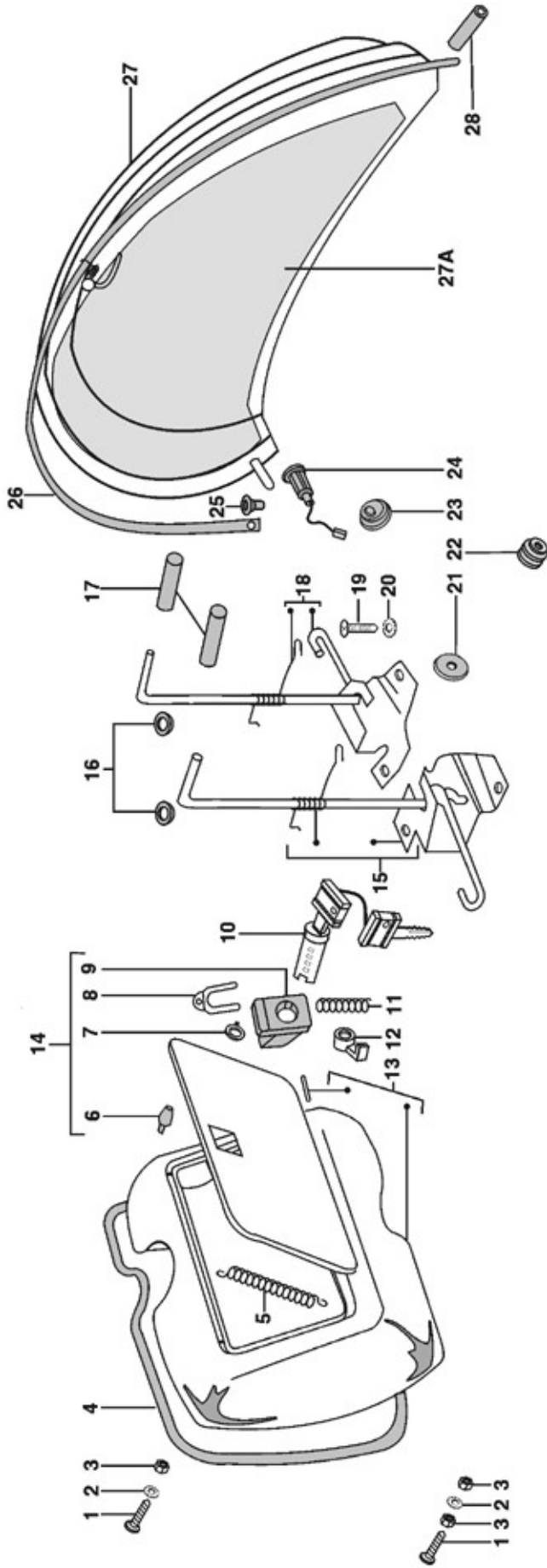


Image #	Part #	Description
1	S-14726	Screw
2	S-12528	Lock washer
3	S-20105	Nut
4	C-4727152	Packing for glove compartment
5	12218	Spring for holding tool kit
6	149908	Buffer
7	177835	Washer
8	73260	Stop plate
9	C-2712149	Slide block (plastic)
10	179292	Lock barrel set
11	73111	Spring
12	178961	Lever
13	C-2714431	Glove compartment with lid
14	C-2714432	Glove compartment assy.
15	178317	Hooking lever LH
16	178209	Slide bush
17	178689	Protection sheath
18	178311	Hooking lever RH
19	S-8265	Self tapping screw
20	S-12532	Lock washer
21	C-4703036	Sponge washer
22	70286	Grommet
23	156946	Grommet
24	C-4718578	Cowl bush LH
25	195087	Rubber spacer
26	C-4727150	Packing strip for RH cowl
27	C-4714575	Cowl RH assy.
27A	227219	Sound damping pad for engine cowl
28	24041	Tube for cowl
29	C-3727208	Name plate "Stella" (for cowl LH & RH)
30	S-18074	Strip sec. rivet
31	C-4727151	Packing strip for LH cowl
32	C-4727250	Cowl LH assy.
33	C-4718641	Cowl bush RH

**TABLE - 15
CENTRAL STAND - FOOT BOARD STRIPS - CENTER MAT**

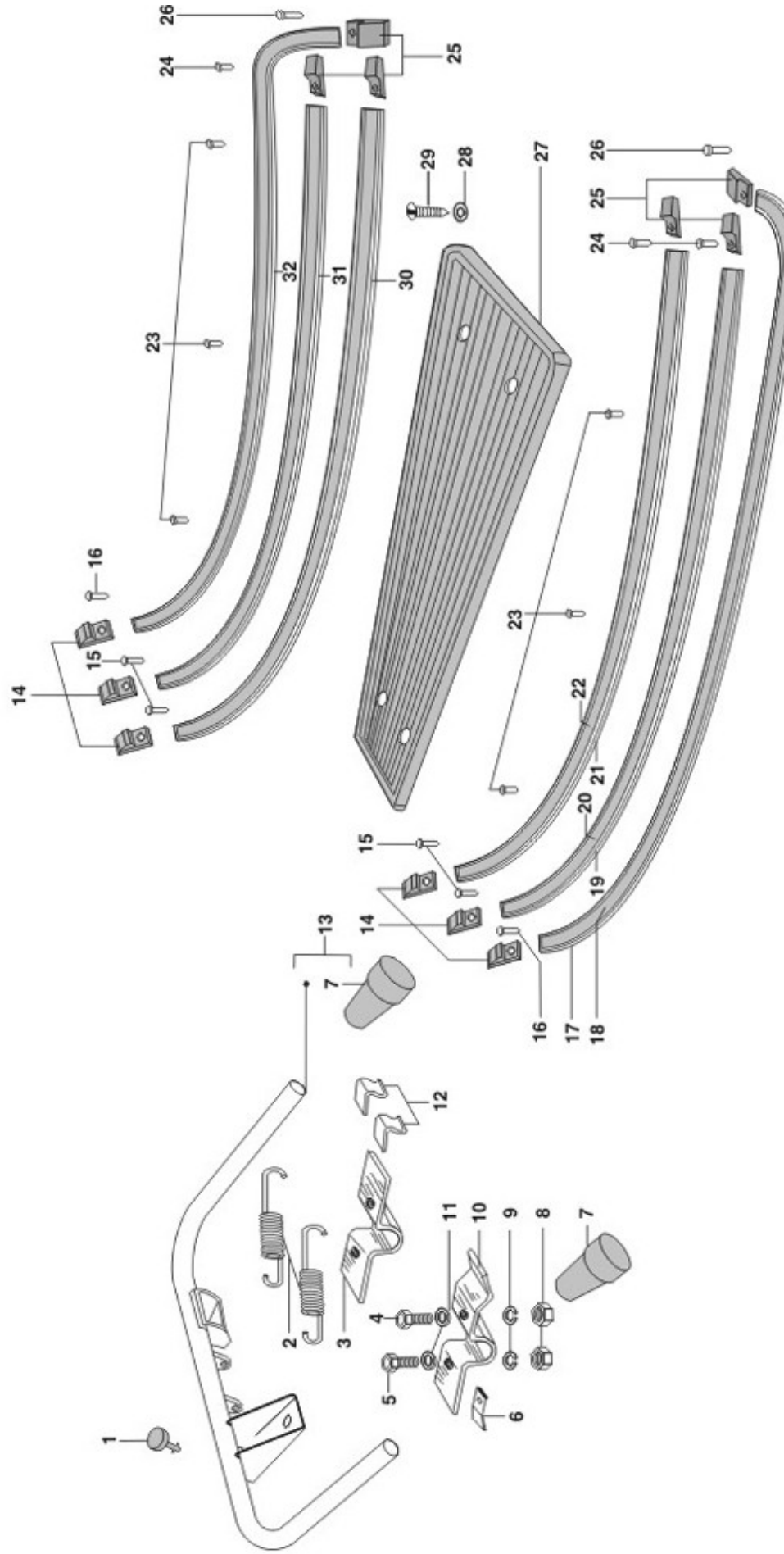


Image #	Part #	Description
1	C-4718675	Buffer
2	176444	Central spring
3	176168	Bracket RH
4	S-31089	Bolt
5	S-31088	Bolt
6	174880	Spring plate
7	176166	Stand pad
8	S-20006	Nut
9	S-16406	Spring washer
10	176167	Bracket LH
11	S-3056	Washer
12	77252	Plate for spring
13	C-2718577	Central stand with pad
14	182174	Terminal pad front
15	182144	Terminal pad rivet
16	182302	Rivet profile strips
17	182186	Outer strip LH
18	182191	Outer rubber profile strip
19	182188	Middle strip LH
20	182192	Middle rubber profile strip
21	182190	Inner strip LH
22	182193	Inner rubber profile strip
23	S-10805	Strip securing rivet
24	S-10869	Inner strip securing rivet
25	159828	Terminal pad profile
26	S-10881	Terminal pad rivet
27	227019	Center mat
28	S-3055	Plain washer
29	S-8246	Screw for center mat
30	182189	Inner strip RH
31	182187	Middle strip RH
32	182185	Outer strip RH

TABLE - 16
WHEEL RIM - SPARE WHEEL COVER - TOOL KIT

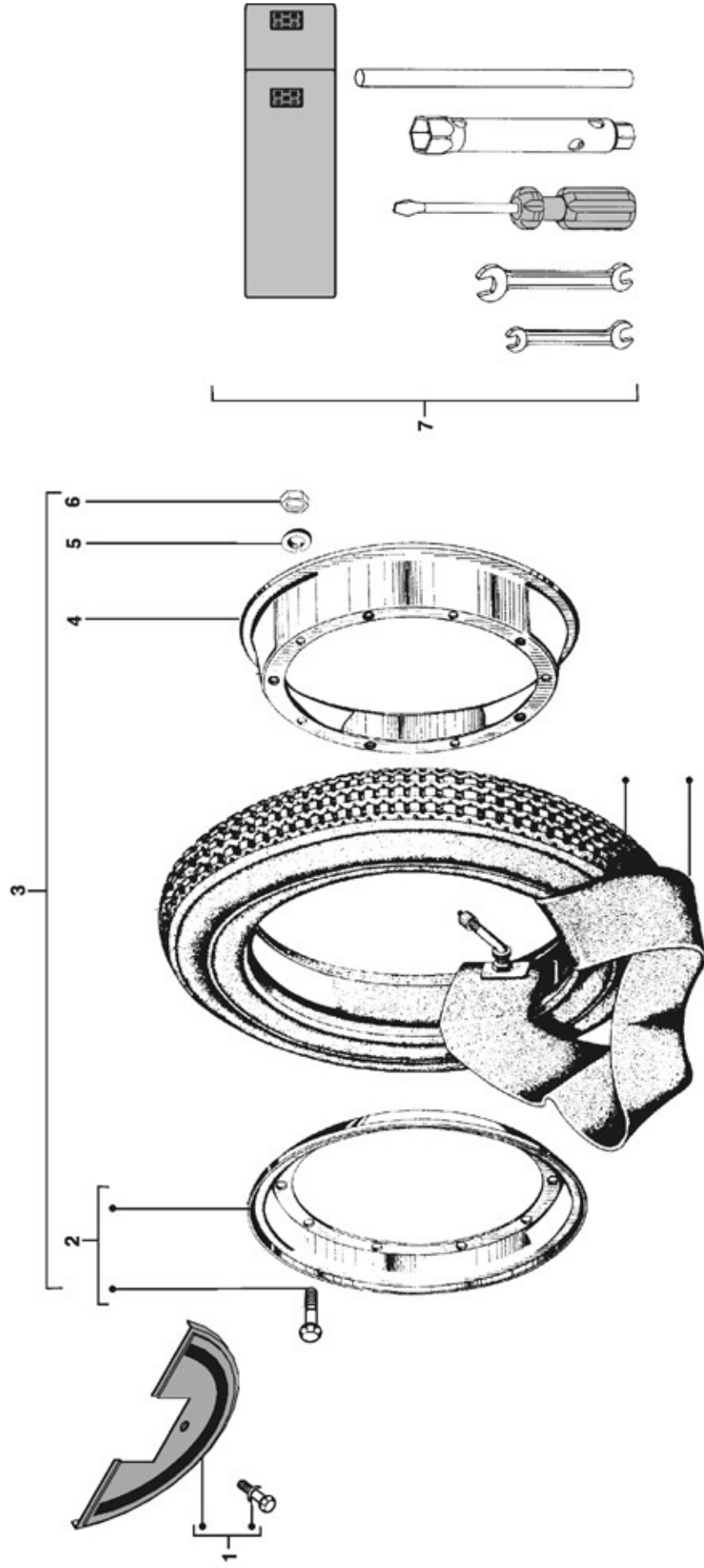


Image #	Part #	Description
1	C-4712007	Spare wheel cover assy.
2	C-2727193	Wheel flange assy.
3	C-3727312	Wheel rim assy.
4	C-2727180	Wheel rim
5	S-16408	Spring washer
6	S-20108	Nut
7	C-4714703	Tool kit assy.

TABLE - 17
SPEEDOMETER - HANDLEBAR - MASTER CYLINDER ASSY.

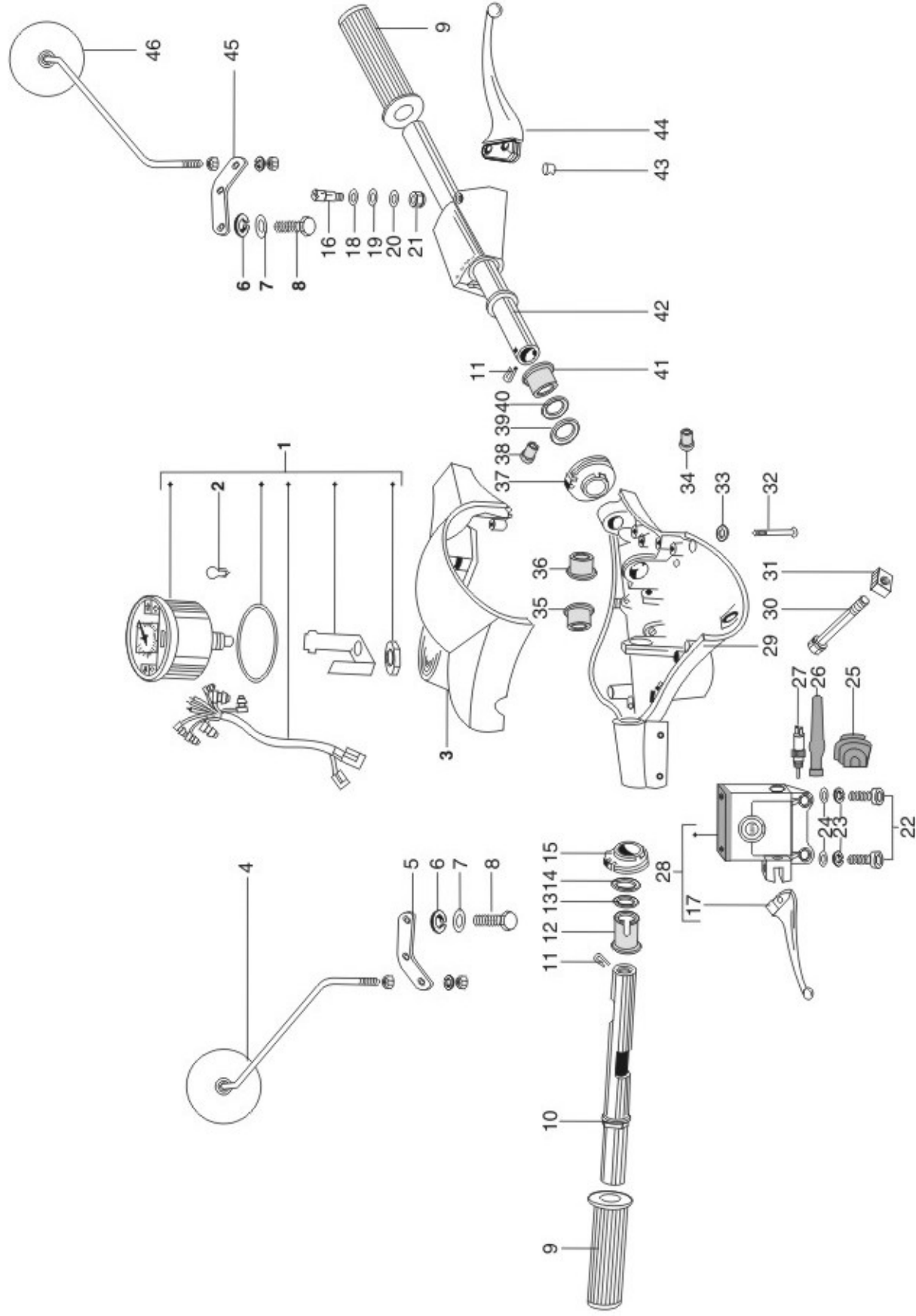


Image #	Part #	Description
1	C-2727220	Speedometer comp. with fuel gauge
2	164634	Bulb for speedometer
3	C-2723369	Handle bar top
4	C-2727073	Rear view Mirror RH ("E" mark)
5	C-3727088	Mounting bkt. for Mirror RH
6	S-16408	Spring washer
7	C-4721602	Plain washer
8	S-31118	Bolt for Mounting bkt.
9	179833	Twist grip
10	C-4721838	Throttle tube
11	137267	Spring clip
12	C-4721745	Ring insert (Throttle side outer)
13	C-4721941	Washer for throttle tube
14	101474	Washer
15	139797	Throttle pulley
16	150235	Screw
17	C-3727223	Front brake lever
18	17492M	Spring washer
19	97734	Plain washer
20	97733	Plain washer
21	S-12136	Nut
22	99882242000	Screw Master Cyl. Mtg.
23	S-16408	Spring washer
24	S-3058	Plain washer
25	C-3721690	Grommet Handle Bar
26	C-4722375	Insulating Cap for Switch
27	C-4721648	Front Brake Switch
28	C-3721705	Master Cylinder Assy.
29	C-4723415	Lower part of handle bar
30	S-15542	Bolt (st. column)
31	70620	Nut
32	S-15835	Screw
33	S-3055	Plain washer
34	139913	Cable cap for gear change
35	C-4721942	Ring insert
36	C-4723004	Ring insert brass (Gear sleeve inner)
37	139796	Gear pully
38	139912	Cable end cap
39	101473	Spring washer
40	C-4721749	Shim for gear sleeve
41	C-4721746	Ring insert (Gear sleeve side outer)
42	C-3704468	Gear sleeve with tube
43	18699	Cable end cap for clutch
44	C-2714436	Clutch Lever
45	C-3727087	Mounting bkt. for Mirror LH
46	C-2727109	Rear view Mirror LH ("E" mark)

TABLE - 18
TRANSMISSION

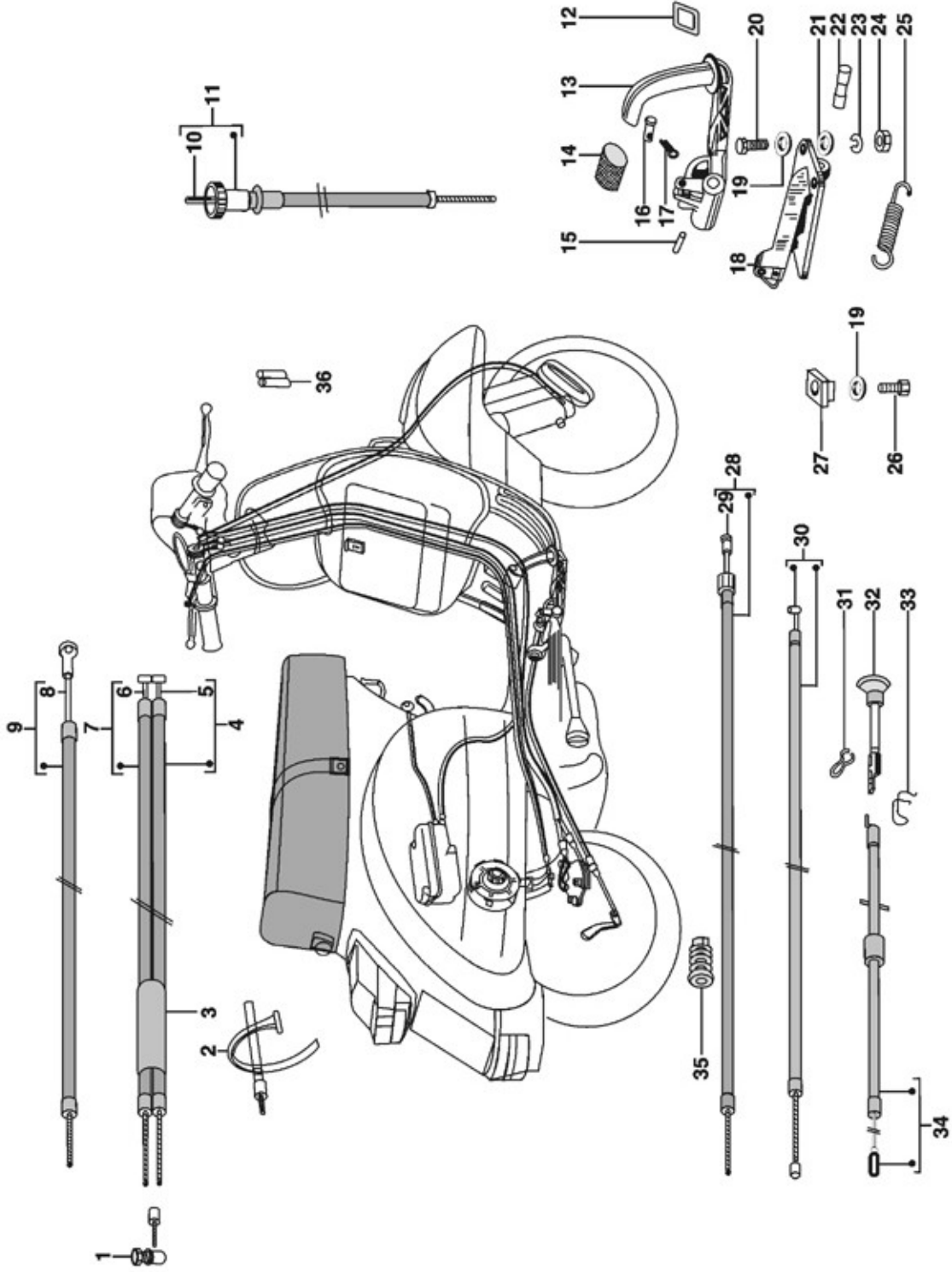


Image #	Part #	Description
1	153198	Cable screw nipple
2	145298	Cable securing strap
3	90541	Protective sleeve
4	C-4709046	Gear transmission assy. (long)
5	139628	Cable with terminal
6	139622	Cable with terminal
7	C-4709048	Gear transmission assy.
8	191803	Rear brake inner cable
9	191804	Rear brake cable assy.
10	174160	Speedometer inner cable
11	174161	Speedometer trasmission assy.
12	194380	Protection sheath
13	182049	Rear brake pedal
14	182051	Rubber pad
15	S-8818	Pin
16	71165	Cable pin
17	S-12761	Split pin
18	138474	Bracket for rear brake pedal
19	S-3056	Plain washer
20	S-31091	Bolt
21	S-13880	Washer
22	183124	Pin
23	S-16406	Spring washer
24	C-4701940	Nylock nut
25	70994	Return spring for brake pedal
26	S-31090	Bolt
27	182872	Nut with cage
28	C-4709049	Clutch control cable assy.
29	175290	Clutch inner cable
30	174827	Throttle control cable assy.
31	50207	Spring
32	C-4710591	Rod with knob
33	183321	Spring for transmission fastening
34	XC-4-24-608	Choke cable assy.
35	156401	Clutch cable protection
36	152210	Retainer cable hose

TABLE - 19
HORN - LIGHT SWITCH - HEAD LAMP - TAIL LAMP

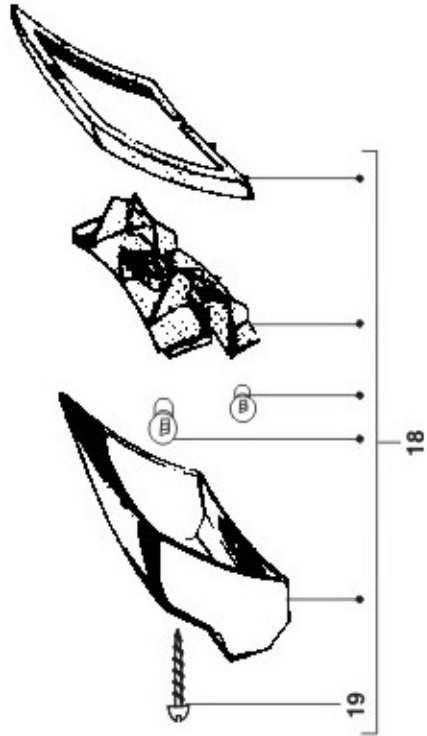
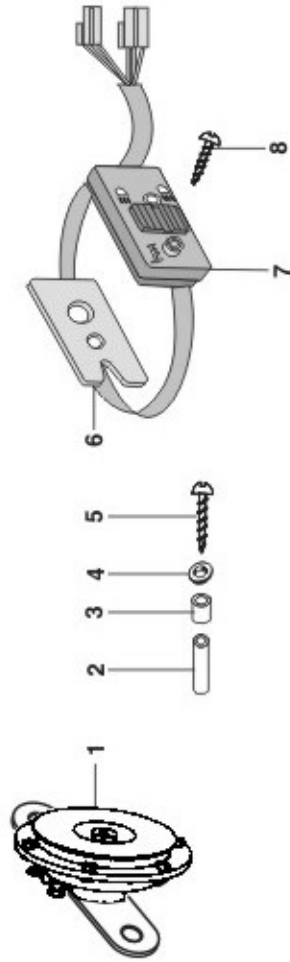
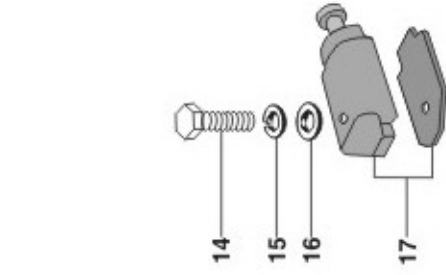
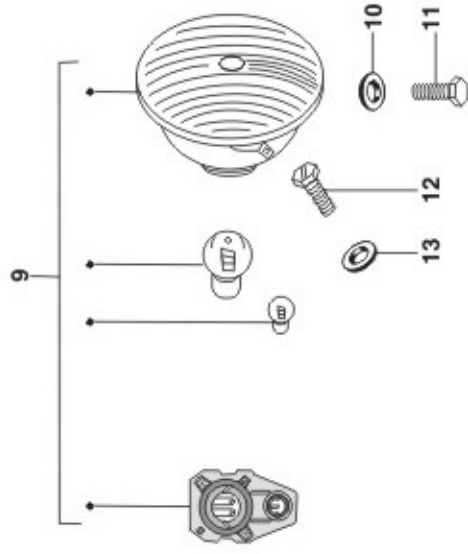


Image #	Part #	Description
1	264094	Horn 12 Volt DC
2	C-4718229	Bush
3	C-4718226	Buffer
4	S-13763	Plain washer
5	S-15729	Screw for horn mtg.
6	C-4705712	Insulator plate
7	C-3727291	Light switch assy.
8	S-18503	Screw
9	290594	Head Lamp assy.
10	C-4703078	Plain washer
11	S-31027	Screw
12	S-702	Screw
13	S-12532	Star washer
14	S-31033	Bolt
15	S-16404	Washer
16	S-3054	Plain washer
17	181881	Stop switch
18	240706	Tail lamp assy. (with bulb)
18	C-4727354	Tail lamp assy. (Chrome)
19	S-15884	Screw
19	C-4710721	Screw for glass (Chrome)

TABLE - 20
REGULATOR - TURN SIGNAL LAMPS - BUZZER

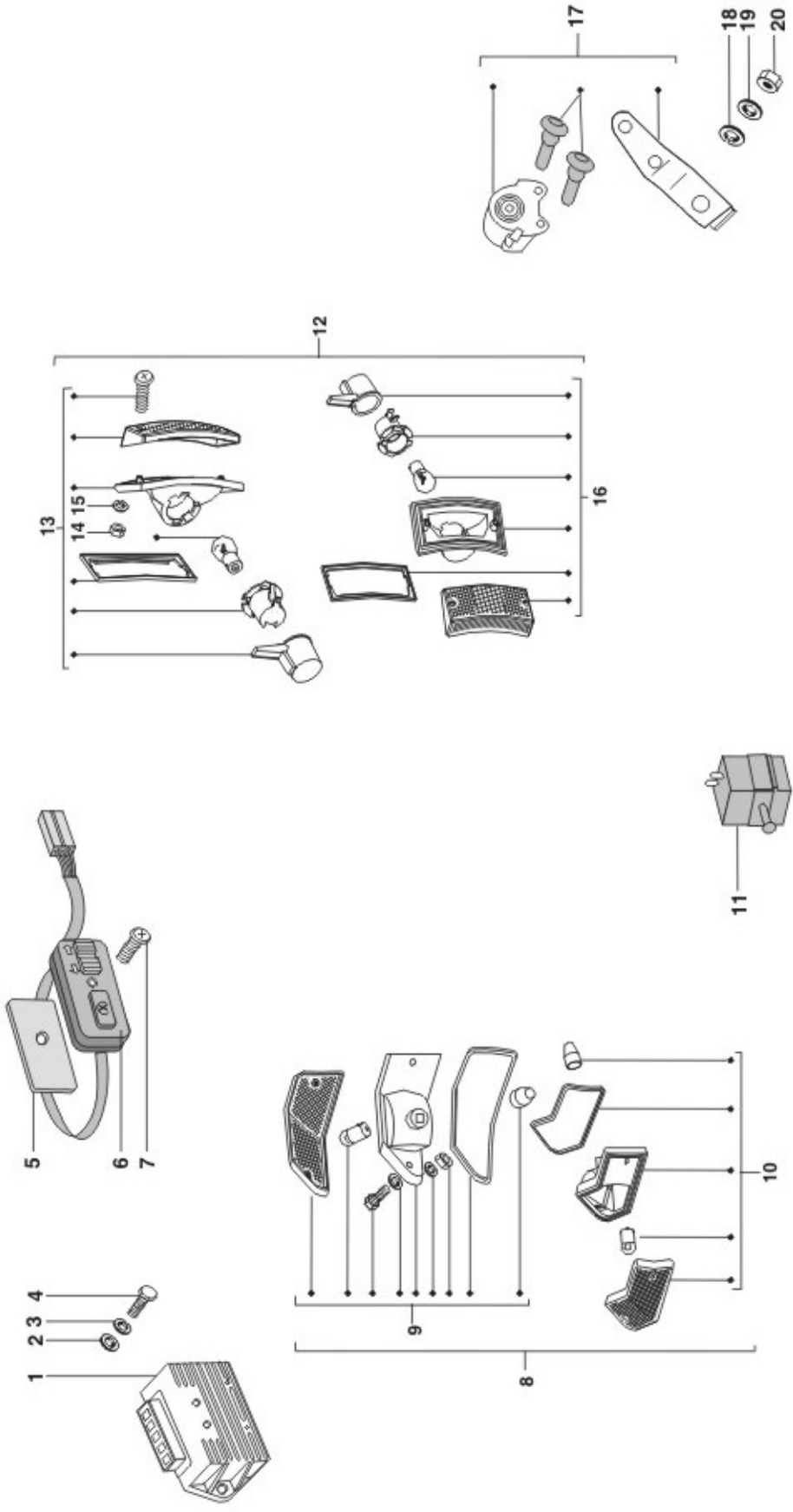


Image #	Part #	Description
1	C-3710555	Regulator
2	S-3056	Plain washer
3	S-16406	Spring washer
4	S-8375	Screw
5	C-4705713	Insulator plate
6	C-3727290	Blinker switch with engine kill switch
7	S-18503	Screw for blinker switch
8	C-2723901	Rear Blinker group LH / RH
9	C-2723902	Rear Blinker LH
10	C-2723903	Rear Blinker RH
11	C-4727284	DC Flasher with support
12	C-2723898	Front Blinker group LH / RH
13	C-2723899	Front Blinker LH
14	S-20004	Nut
15	S-12531	Lock washer
16	C-2723900	Front Blinker RH
17	C-4714640	Piezo buzzer with bracket
18	S-16405	Spring washer
19	S-3055	Plain washer
20	S-20105	Nut M5 x 6H

TABLE - 21
ELECTRIC WIRING HARNESS

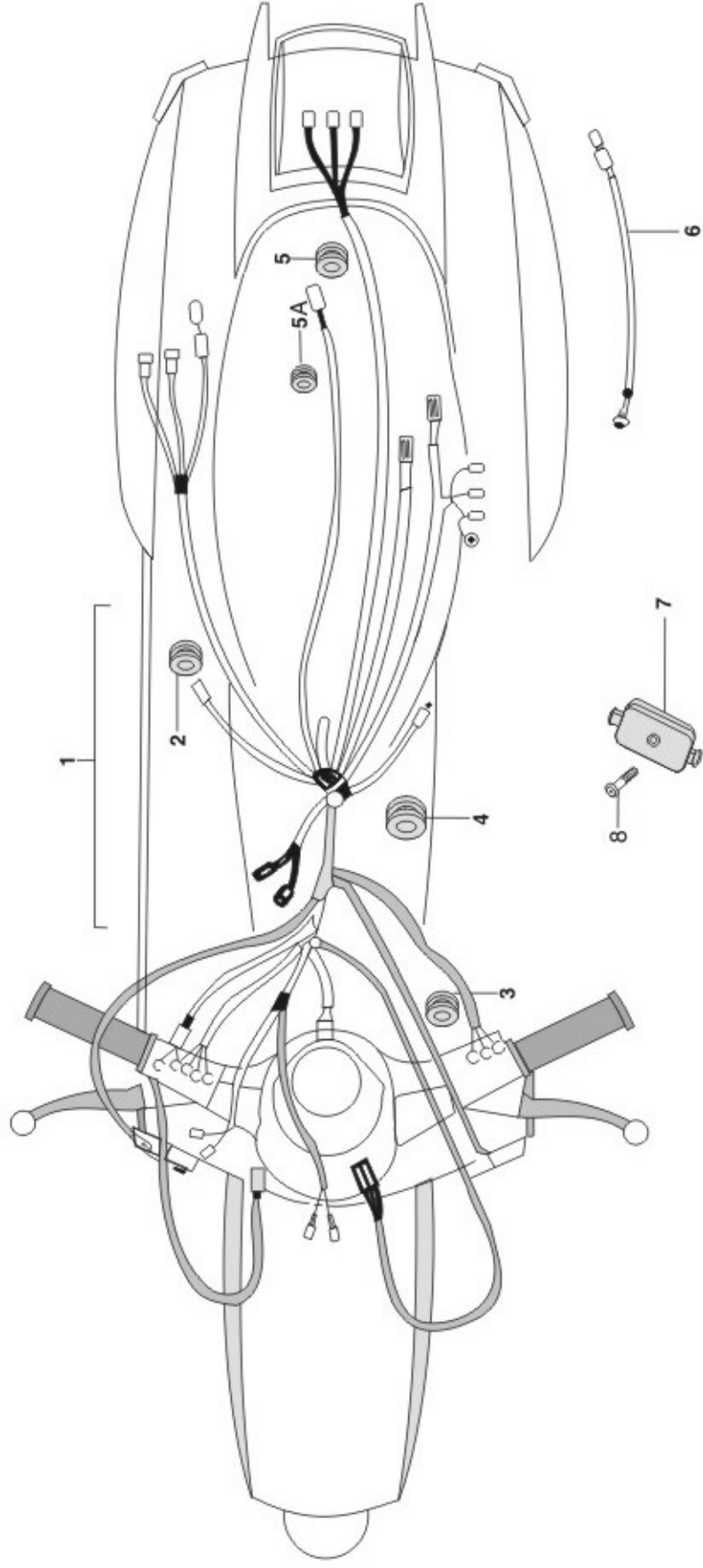


Image #	Part #	Description
1	C-1727224	Main wiring harness
1	C-1727372	Main wiring harness (for chrome tail lamp)
2	C-4704424	Grommet for RH shell
3	C-4710902	Grommet front blinker
4	2/104430	Grommet for LH shell
5	15098	Grommet for tail lamp wire
5A	142300	Grommet for fuel gauge wire
6	C-3718658	Cowl harness
7	C-4721607	Securing screw LT socket
8	C-4718778	LT socket assy.

TABLE - 22
SADDLE - BAG HOOK

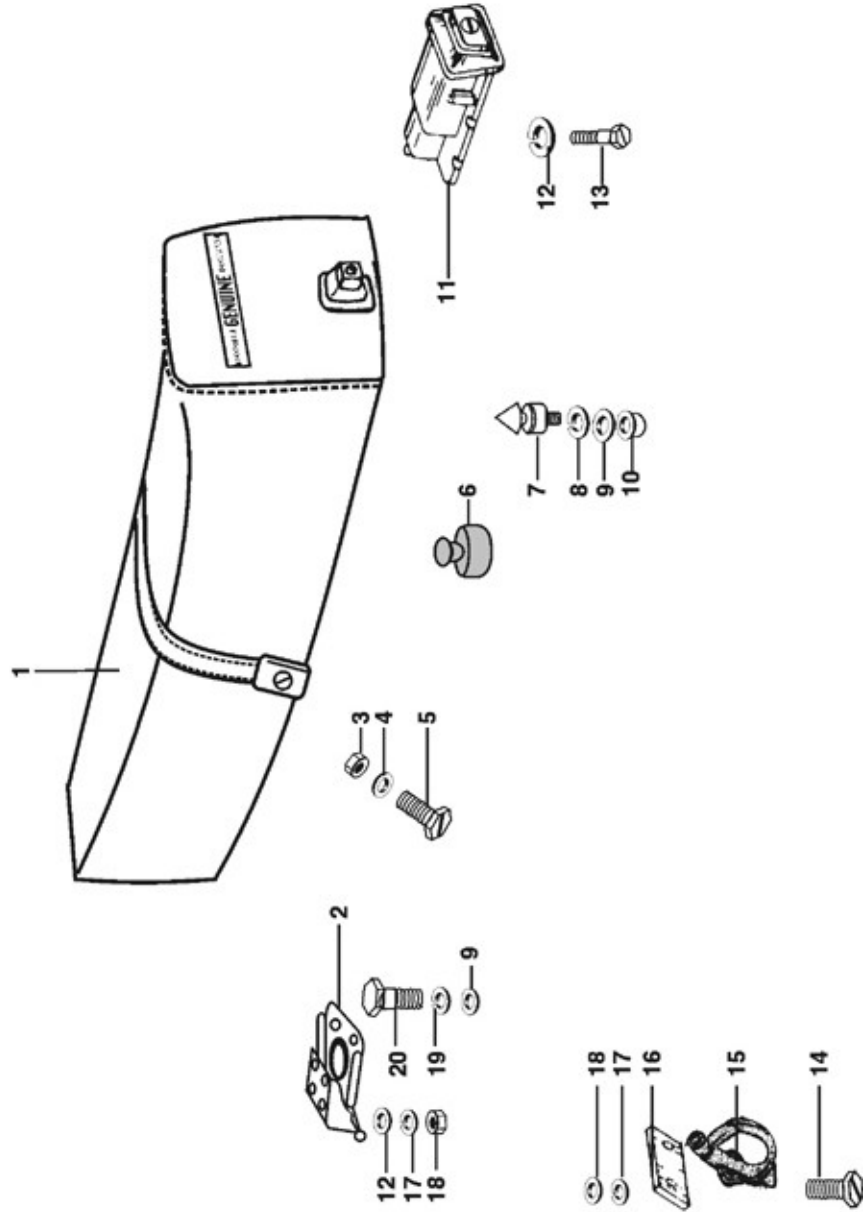


Image #	Part #	Description
1	C-4727226	Duel saddle assy.
2	C-3714615	Seat hinge
3	C-4701940	Nylock nut for belt
4	S-13950	Washer for belt
5	C-4714603	Bolt for belt
6	C-4714580	Rubber pad for saddle
7	240165	Saddle lock pin
8	S-12540	Star washer
9	S-3058	Plain washer
10	240166	Cup
11	C-4714608	Saddle lock housing
12	S-3055	Washer
13	S-31027	Lock sec. bolt
14	C-4710387	Screw
15	227153	Hook for bag
16	57371	Fastening plate
17	S-16405	Spring washer
18	S-20105	Nut
19	S-16408	Spring washer
20	S-31118	Bolt

TABLE - 23
ELECTRIC STARTER MOTOR

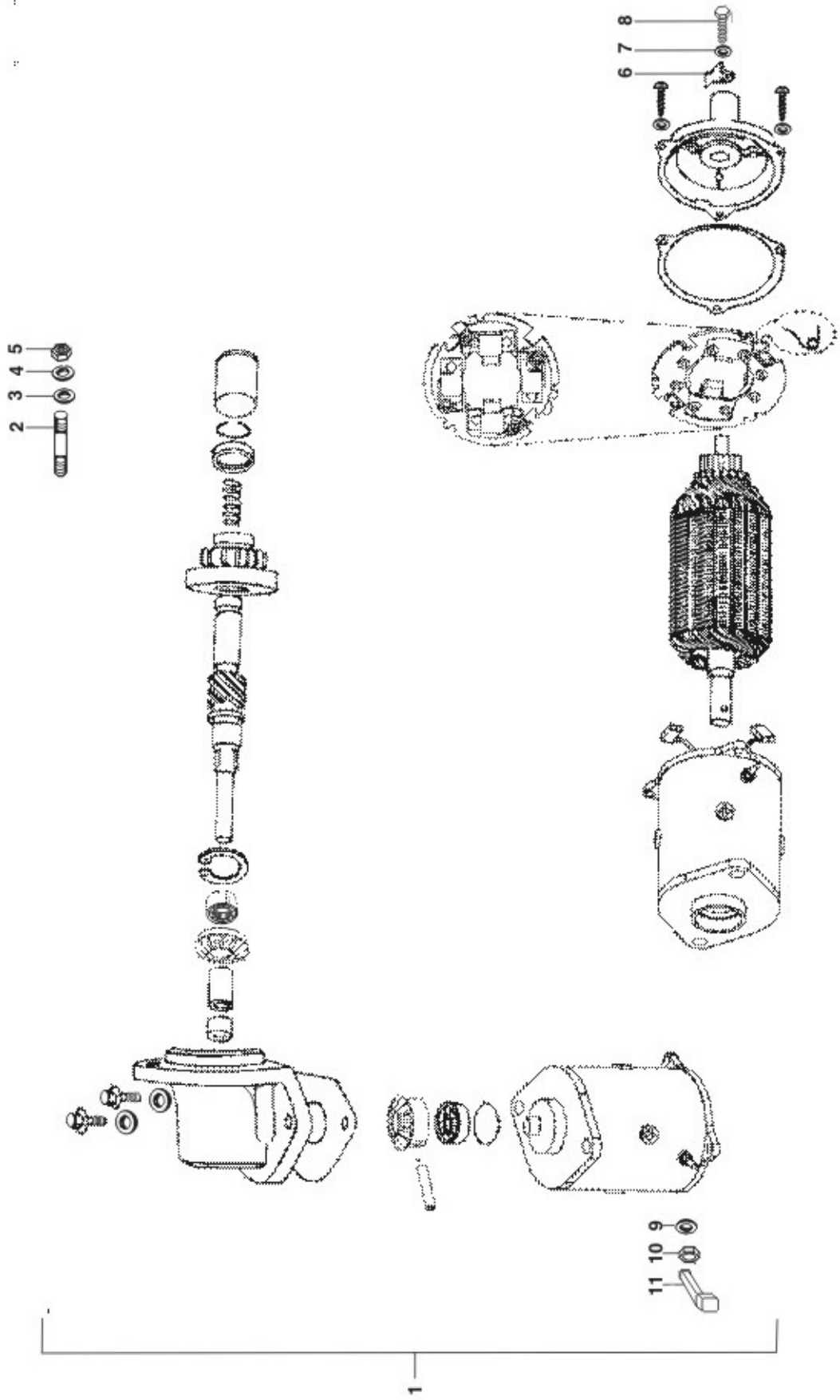


Image #	Part #	Description
1	243511	Compl. starter motor with transn. (Wellwin)
1	C-4727153	Compl. starter motor with transn. (TVS)
2	S-3972	Stud
3	S-3058	Plain washer
4	S-16408	Spring washer
5	S-20108	Nut
6	179516	Bracket for motor (For Wellwin make)
6	C-4727097	Bracket for motor (For TVS make)
7	S-16406	Spring washer
8	C-4706115	Bolt
9	S-16405	Plain washer (For Wellwin make)
9	S-16406	Plain washer (For TVS make)
10	S-20105	Nut (For Wellwin make)
10	S-20106	Nut (For TVS make)
11	217421	Insulating cap

**TABLE - 24
ELECTRIC START DEVICES - FUSE**

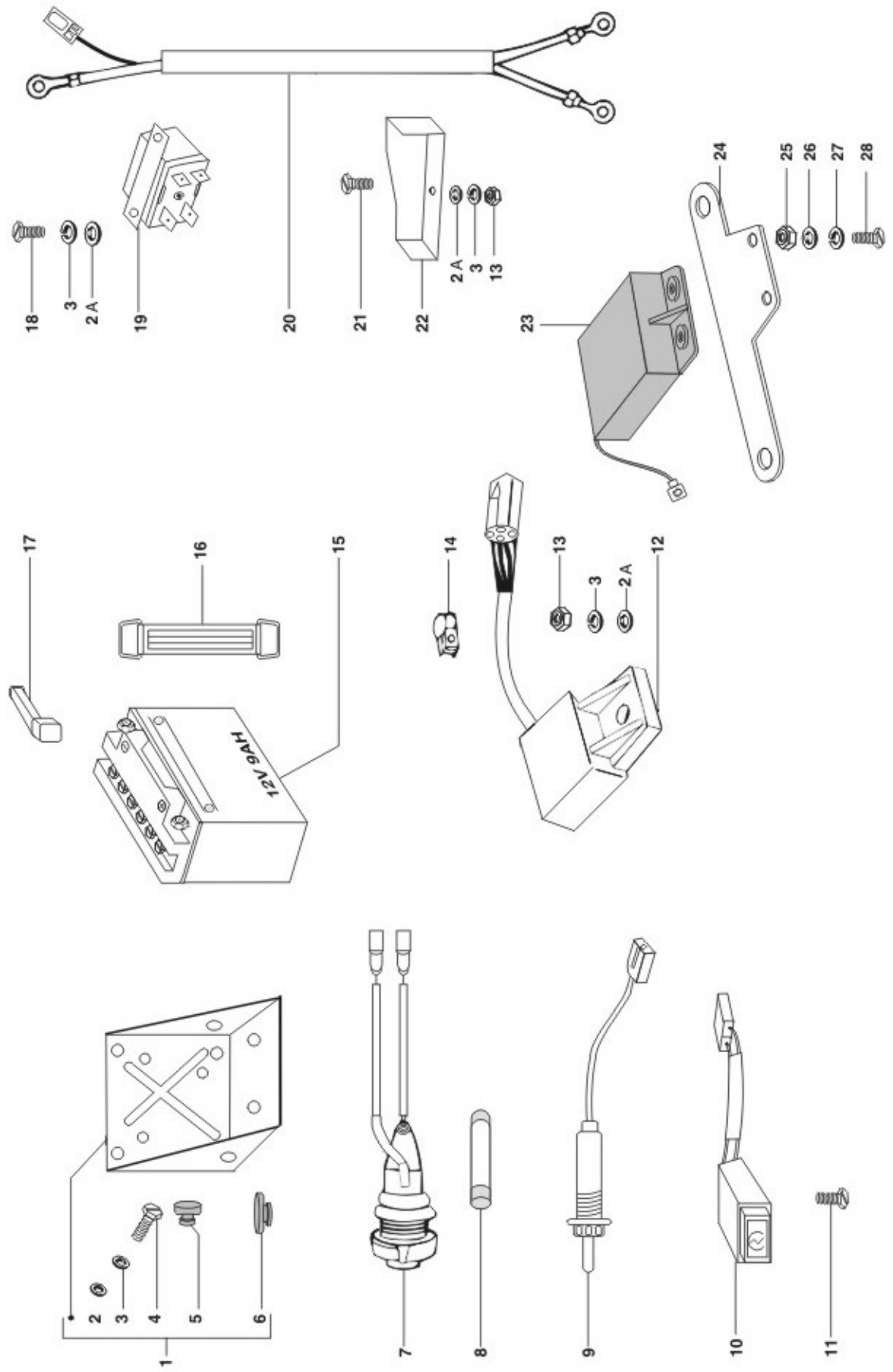


Image #	Part #	Description
1	C-4714825	Battery holding box with plug
2	S-13880	Plain washer
2A	S-3056	Plain washer
3	S-16406	Spring washer
4	S-15759	Screw
5	230051	Plug
6	216895	Plug
7	C-4718699	Fuse holder complete with fuse
8	C-4704435	Fuse (8 Amp.)
9	C-4718588	Declutching switch
10	C-2718180	Starter push button
11	S-18527	Screw
12	C-4718587	PRD relay
13	S-20106	Nut
14	C-4706743	Bracket for vent pipe
15	218823	Battery (12V 9AH)
16	C-4709335	Battery belt
17	C-3705722	Insulator cap for battery
18	S-8375	Screw for cut out relay mtg.
19	C-4712500	Cut out relay
20	C-3727106	Battery wiring harness
21	S-31087	Screw
22	252411	Protection cover
23	C-3710802	CDI unit
24	C-4712644	CDI bracket
25	S-20105	Nut
26	S-6078	Plain washer
27	S-16405	Spring washer
28	S-30387	Screw

TABLE - 25
SPECIAL SERVICE TOOLS

Image #	Part #	Description
1	F-0709756	Fixture for extracting&fitting of engine foundation buffers
2	19.1.14499	Bearing extractor (inner cone from crank shaft)
3	19.1.20004	Punch for dismantling upper track of lower bearing
4	19.1.20017	Electric heater for heating crank case bearing zone
5	19.1.20021	Fixture for overhauling front suspension with attachments
6	19.1.20036	Punch for assy. roller bearing in jaw plate from outside
7	19.1.20037	Punch for assy. roller bearing in jaw plate from inside
8	19.1.20038	Punch for assy. roller bearing in front brake drum
9	19.1.20055/C	Tool for track & ring nut (steering column)
10	19.1.20095	Locking tool for fly wheel
11	T-0016029	Punch for assy. lower track of lower bearing
12	T-0016561	Extractor for lower track of lower bearing
13	T-0017820	Punch for wrist pin
14	F-2306849	Tool for assembling crank shaft/drive shaft in crank case
15	T-0020322	Tool for assy. and dismantling clutch
16	T-0020781	Punch for assy. ball bearing and oil seal in crank case
17	T-0020837	Punch for extracting drive shaft
18	T-0020842	Punch for dismantling lower track of upper bearing
19	T-0021071	Punch for assembling crank shaft roller bearing
20	T-0021330	Fixture for assy. of lower track of upper bearing and upper track of lower bearing of steering column
21	T-0021467	Bearing extractor with collet & spacer
22	T-0022480	Punch for expelling bearing from crank case
23	T-0023589	Punch for oil seal and main ball bearing
24	T-0023590	Tool for fitting wind shield beading
25	T-0025095	Engine base plate stand
26	T-0025127	Wedge
27	T-0027338	Punch for assy. of oil seal fly wheel side
28	T-0030627	Wrench for clutch nut
29	T-0031729	Wrench for clutch assy.
30	RS-00231	Tool for fuel cock
31	T-0033971	Punch for fitting for drive shaft roller bearing
32	T-0038886	Tool for separating crank case and expelling crank shaft
33	T-0048564	Fly wheel extractor
34	F-3115576	Punch for assembling bearing cone on crank shaft
35	G-2107025	Feeler gauge for checking axial play of gears
36	T-0019559/C	Jig for crank shaft alignment