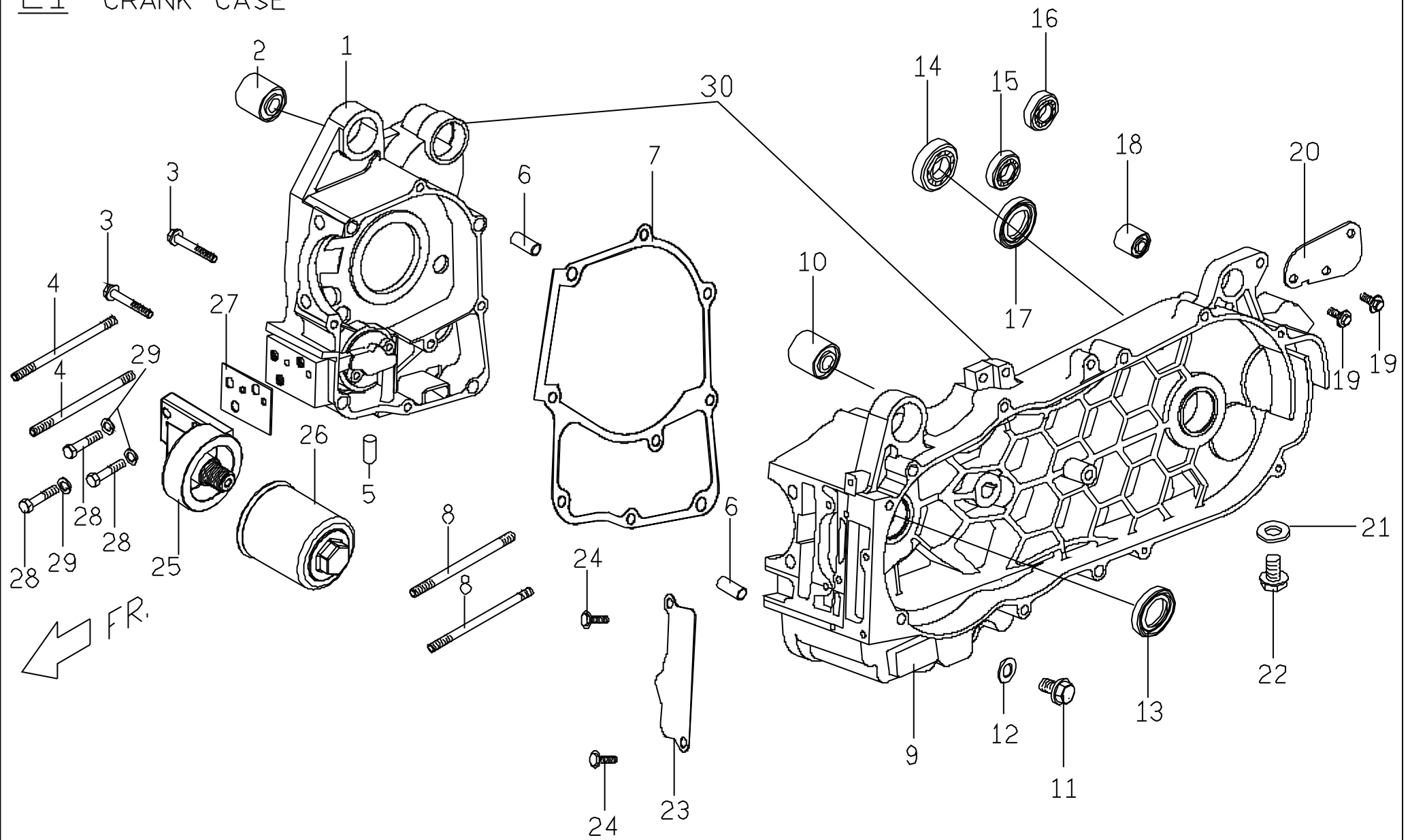
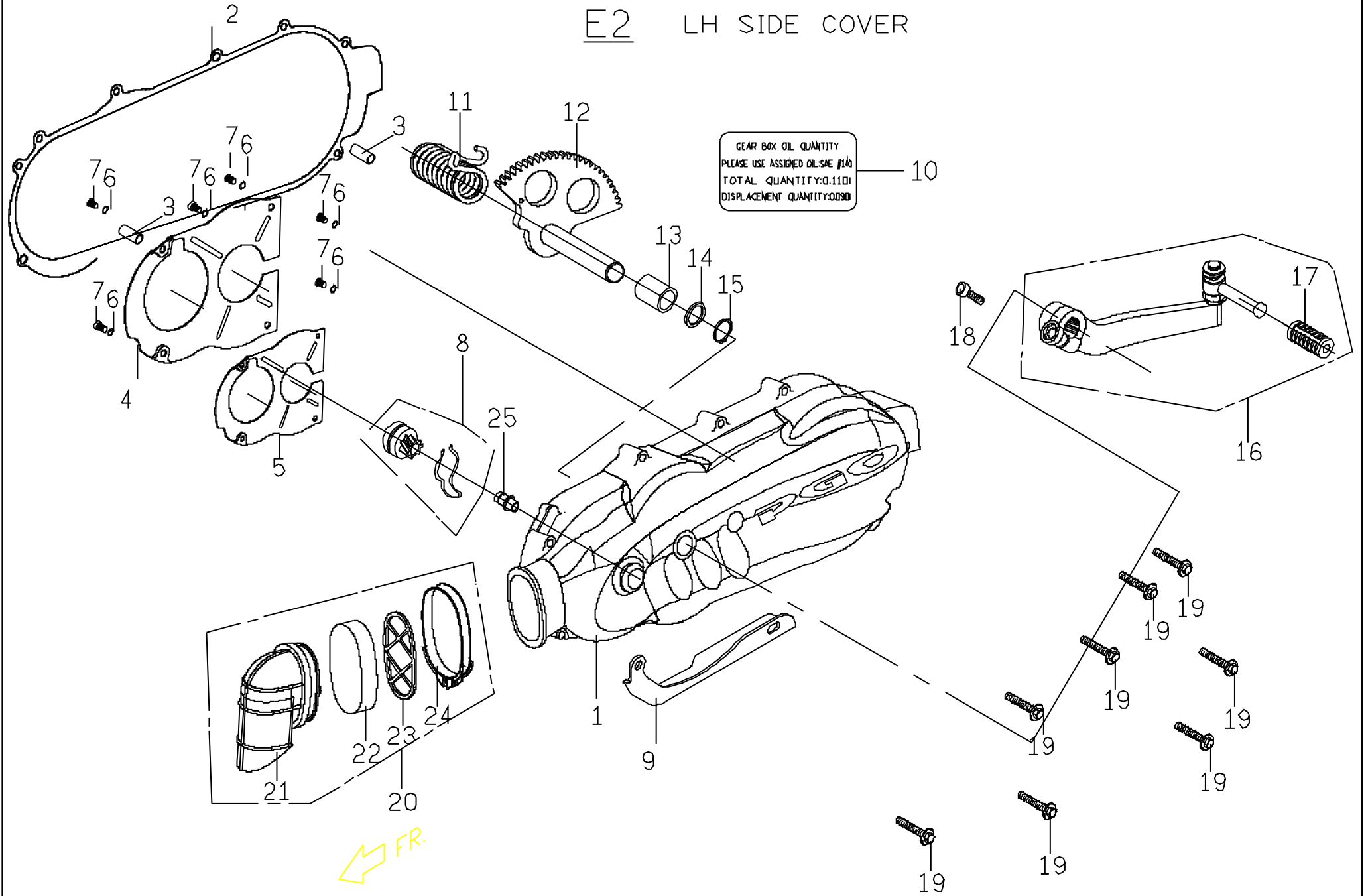


# E1 CRANK CASE



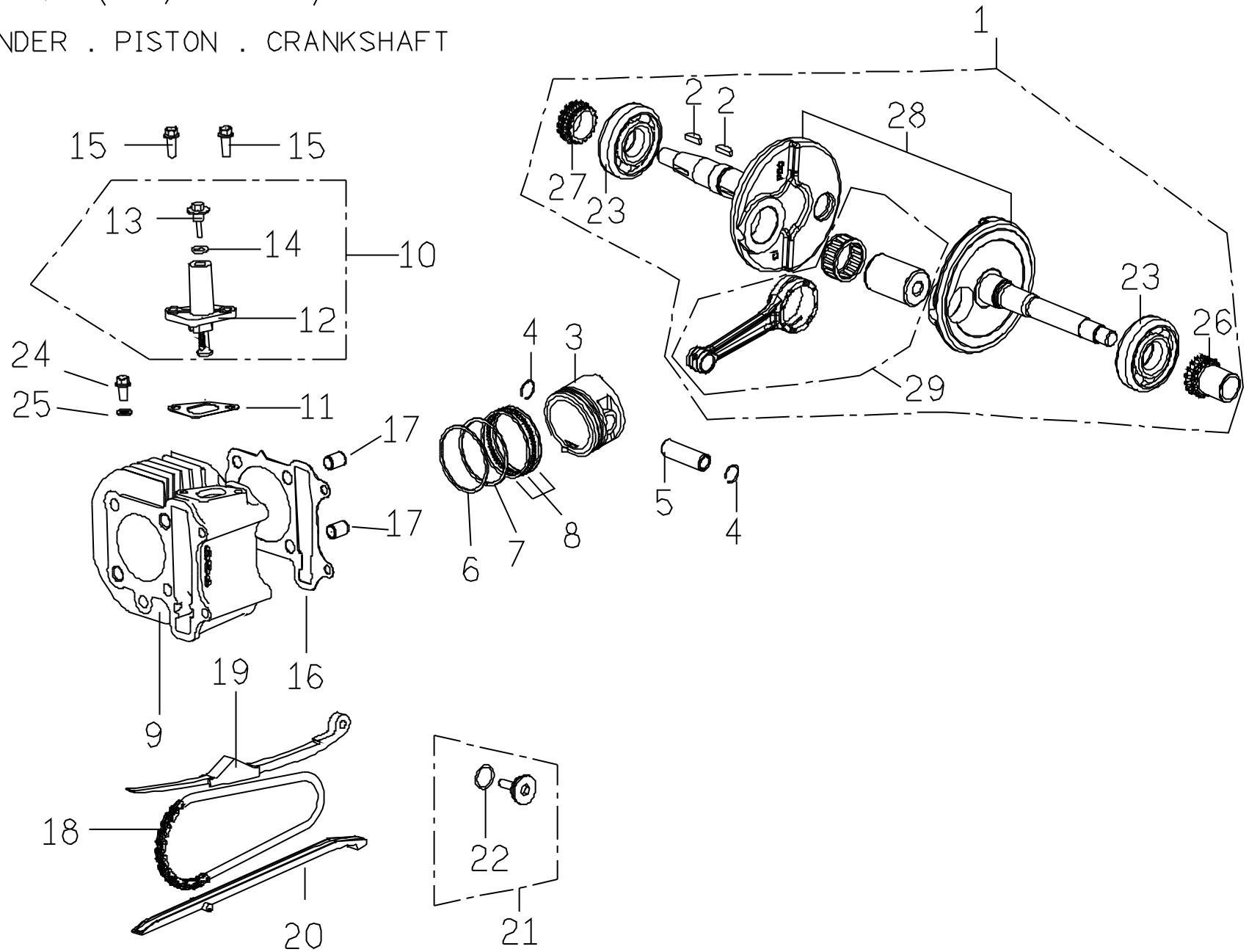
# E2 LH SIDE COVER



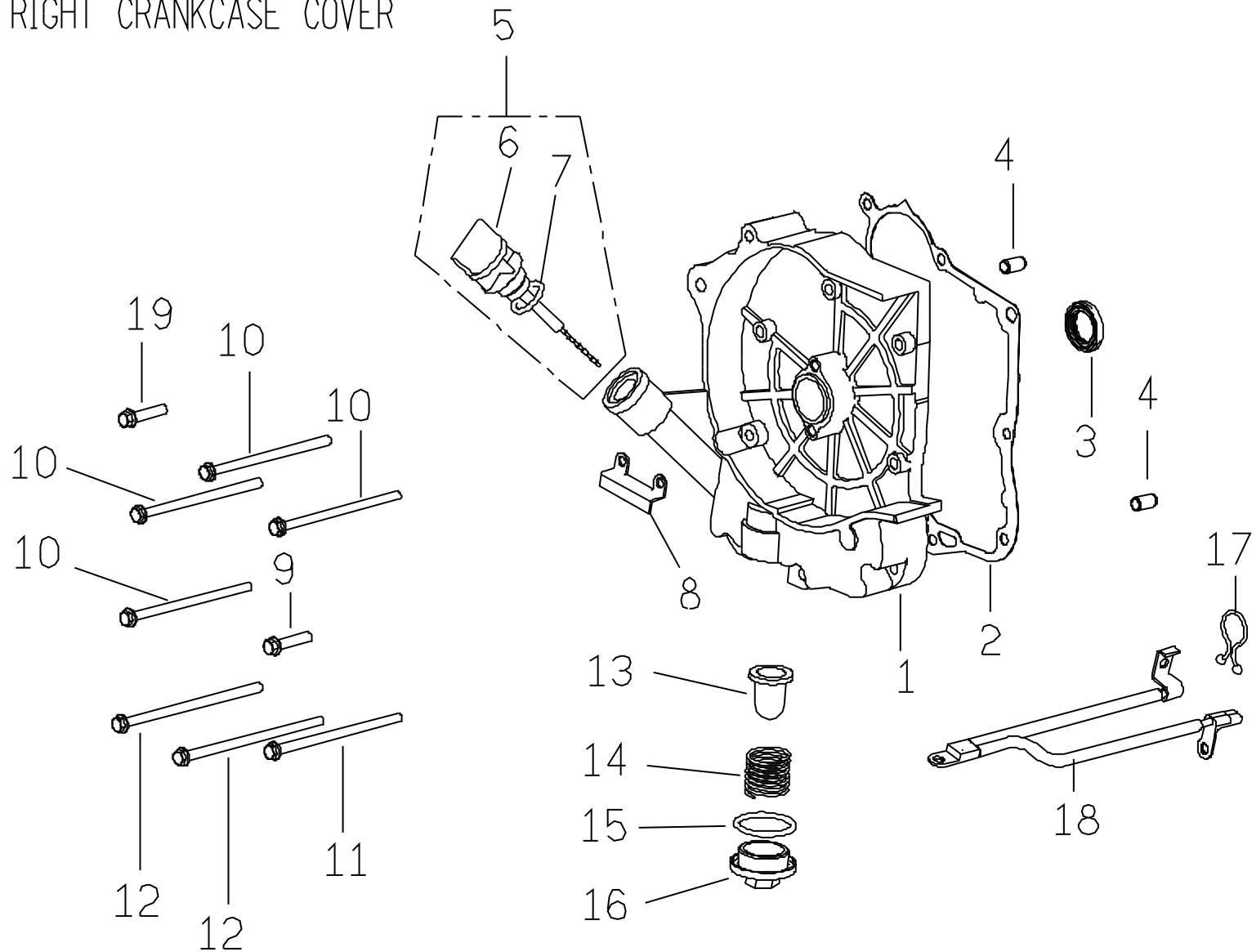


曲軸及汽缸 (100/125 CC)

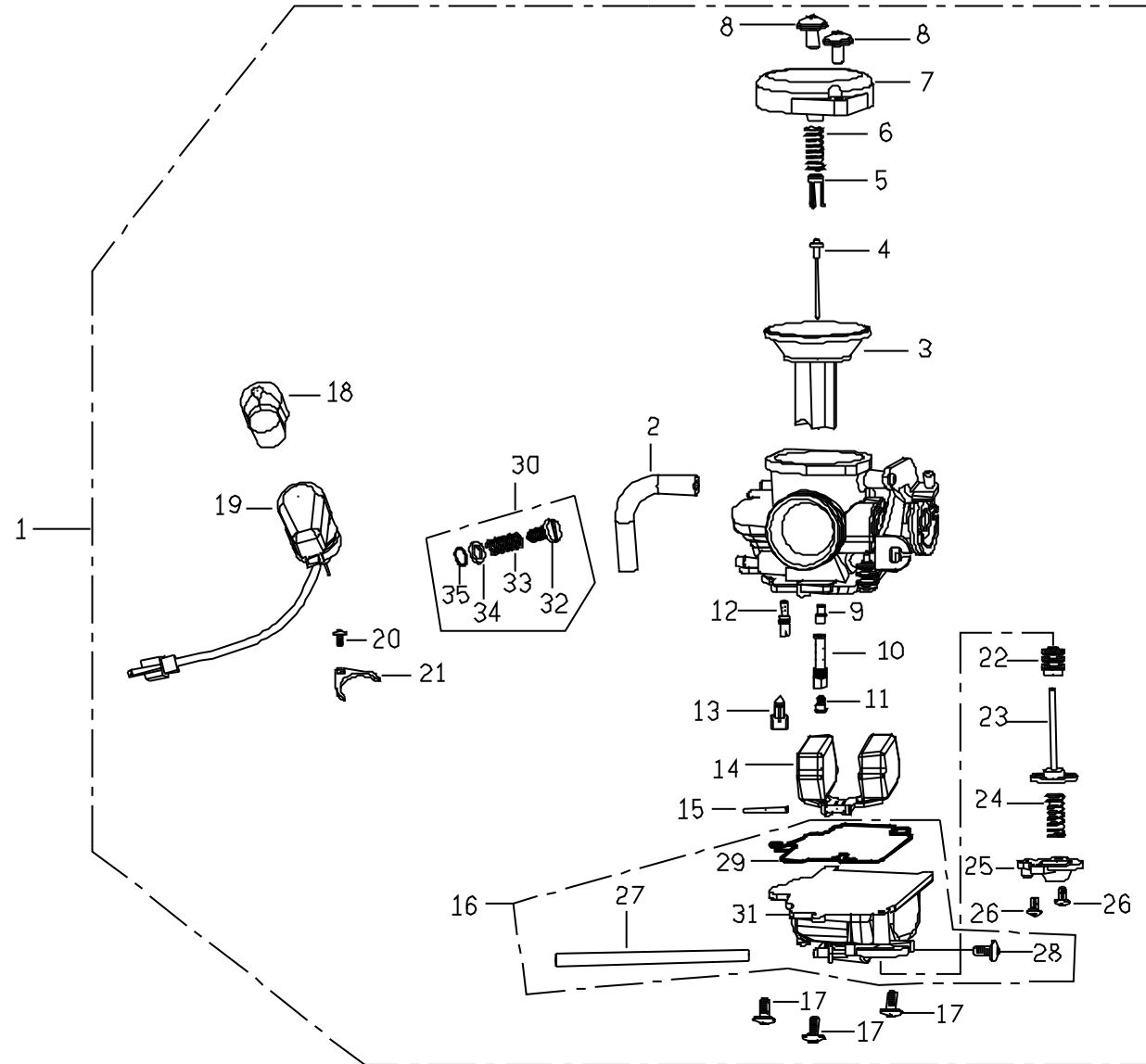
E4. CYLINDER . PISTON . CRANKSHAFT



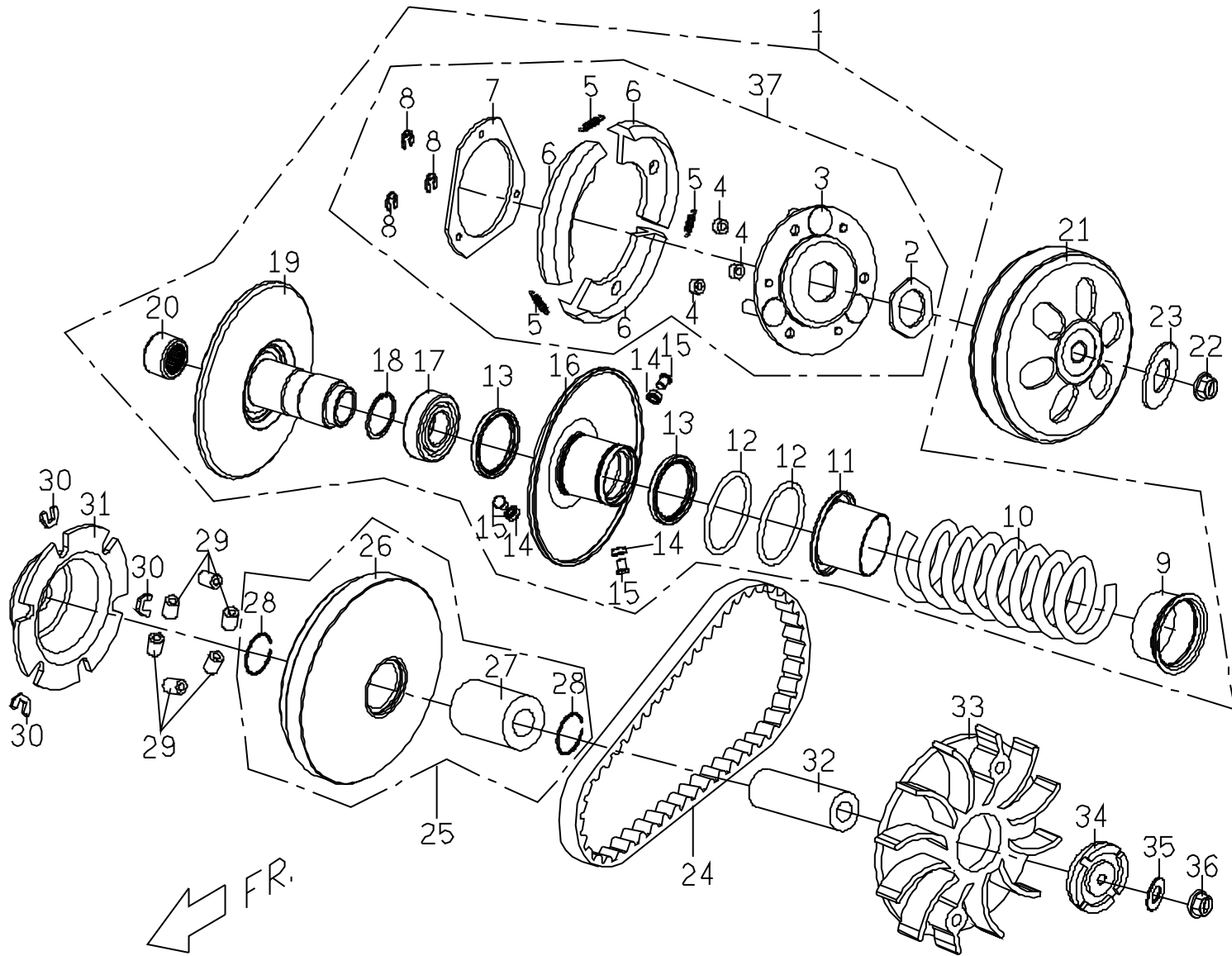
E5 RIGHT CRANKCASE COVER



E6. 化油器  
CARBURETOR

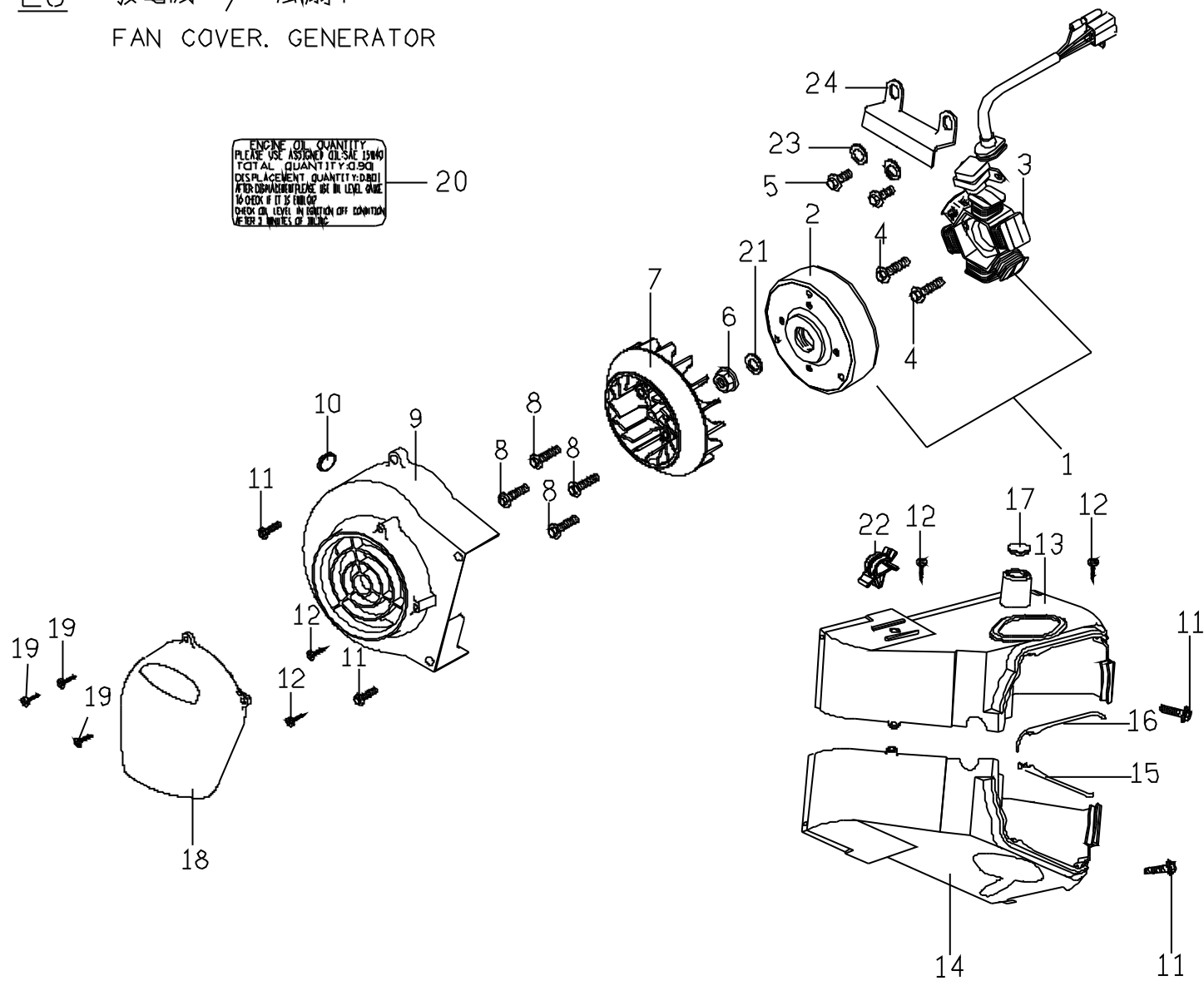


E7 DRIVEN PULLEY



E8 發電機 / 風扇罩  
 FAN COVER, GENERATOR

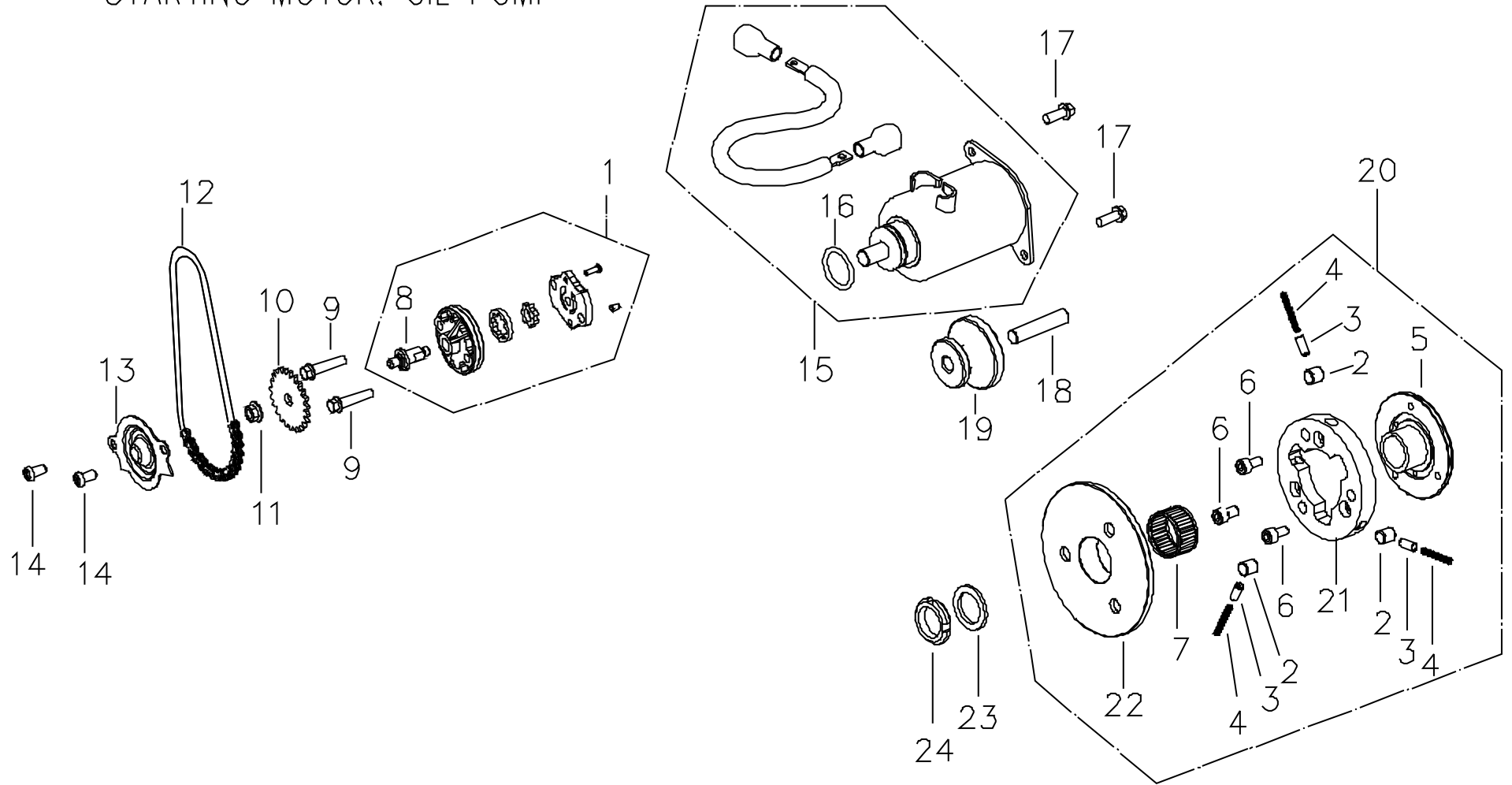
ENGINE OIL QUANTITY  
 PLEASE USE ASSIGNED OIL SAE 15W40  
 TOTAL QUANTITY 0.80L  
 DISPLACEMENT QUANTITY 0.80L  
 IF FOR DISPLACEMENT PLEASE SEE IN LEVEL GAUGE  
 TO CHECK IF IT IS FULL OF OIL  
 CHECK OIL LEVEL IN POSITION OFF POSITION  
 EVERY 3 MINUTES OF RUNNING



E9

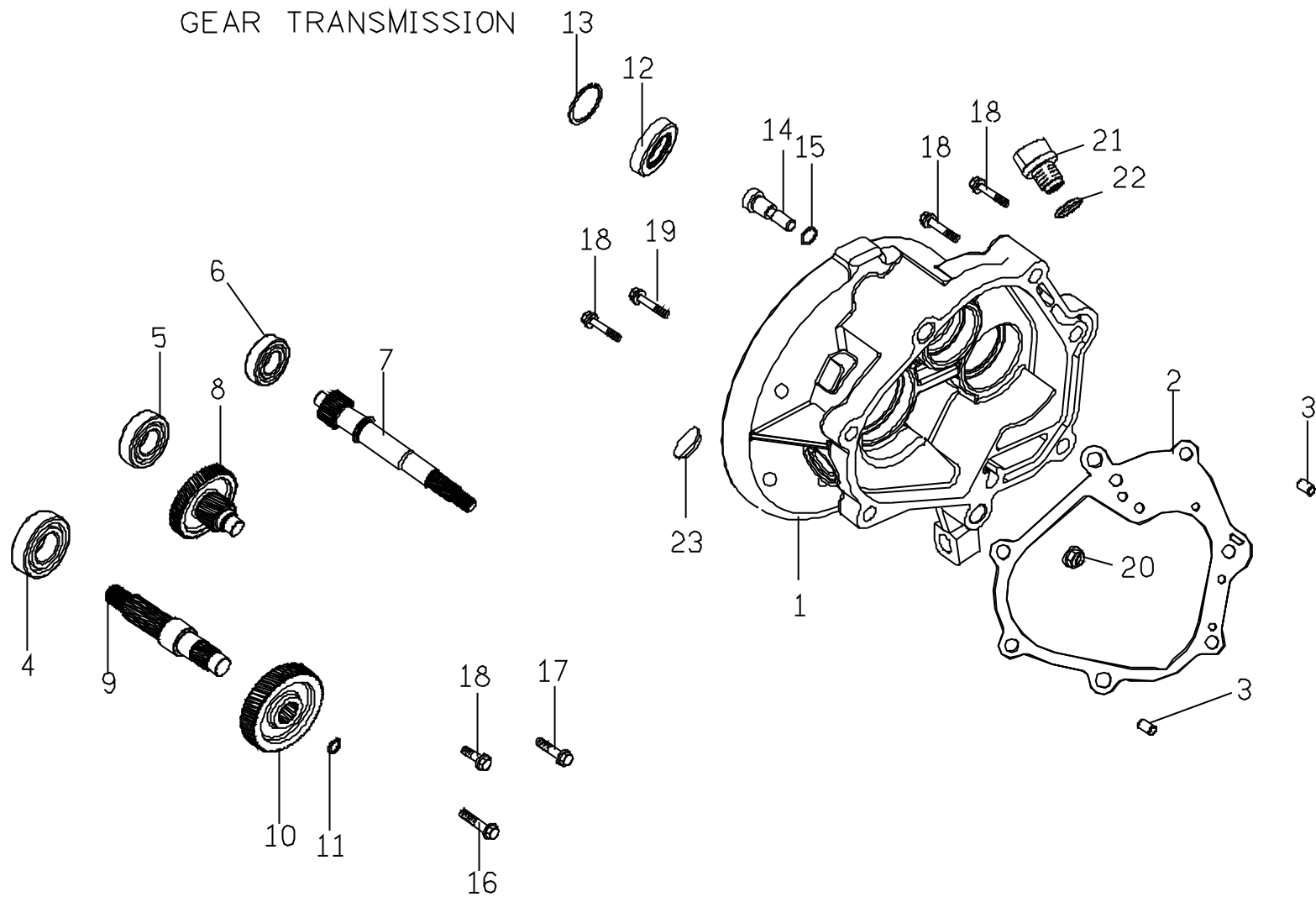
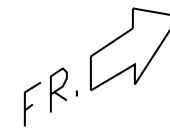
起動馬達

STARTING MOTOR, OIL PUMP

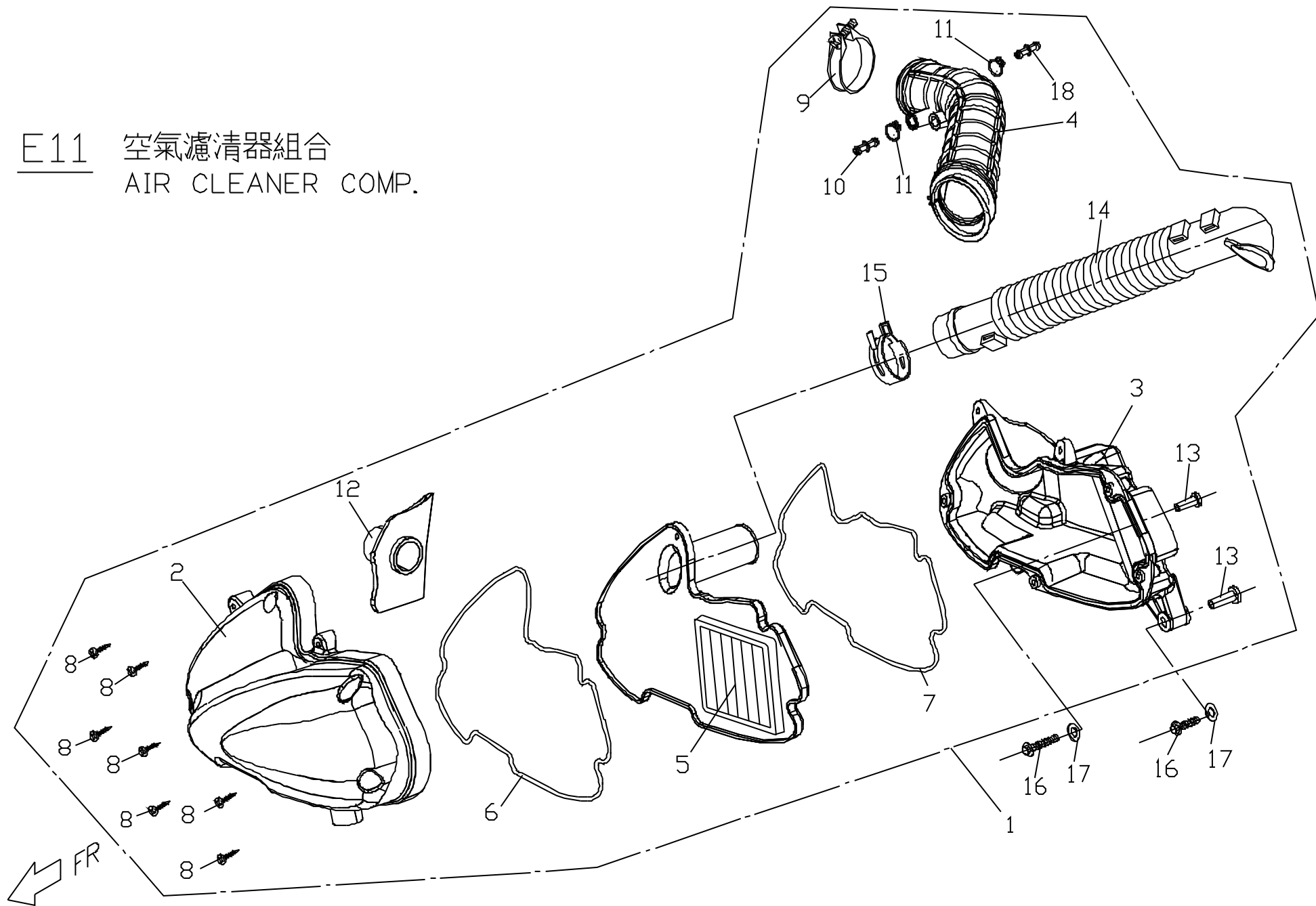


# E10 傳動齒輪箱

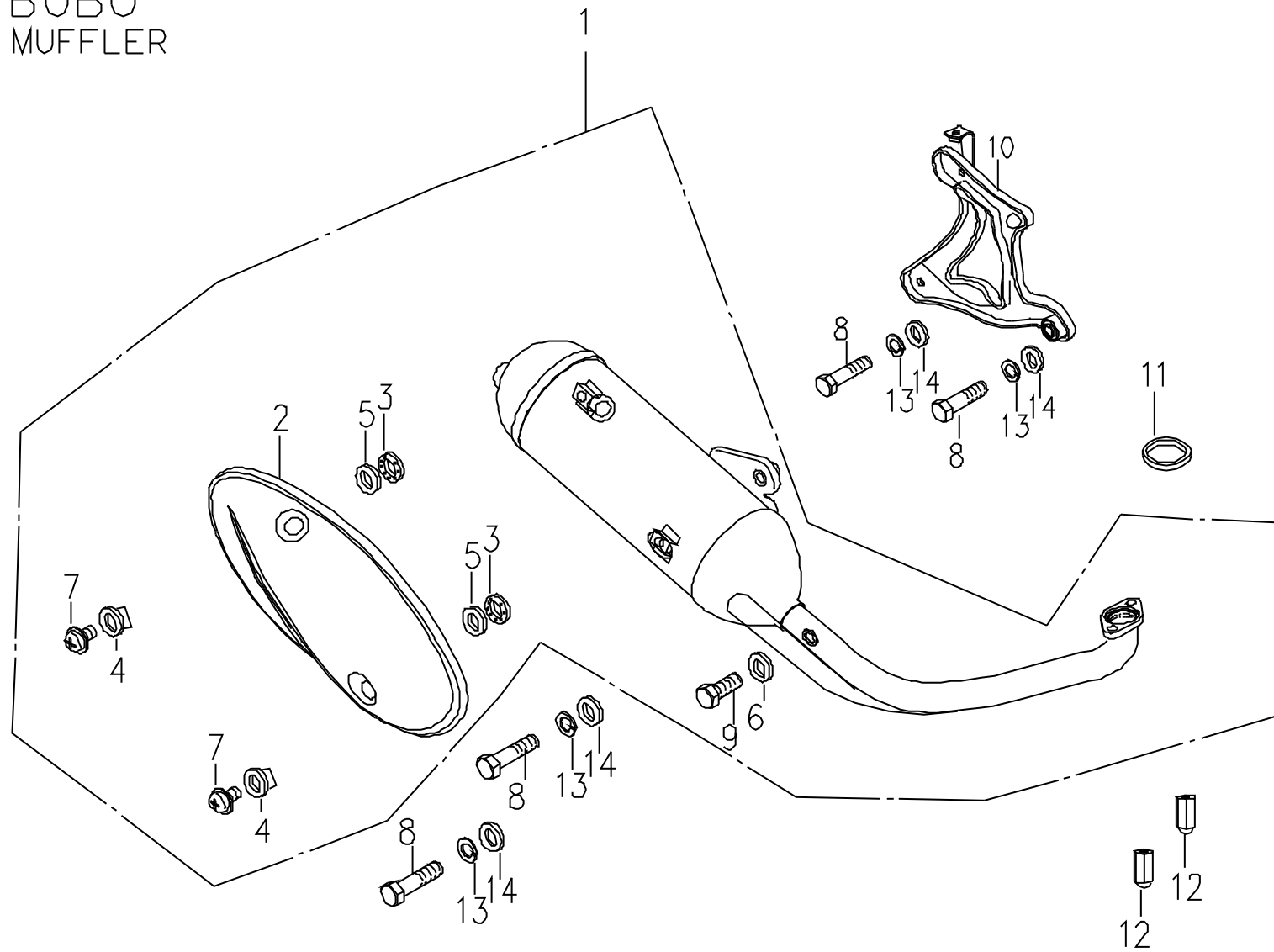
GEAR TRANSMISSION



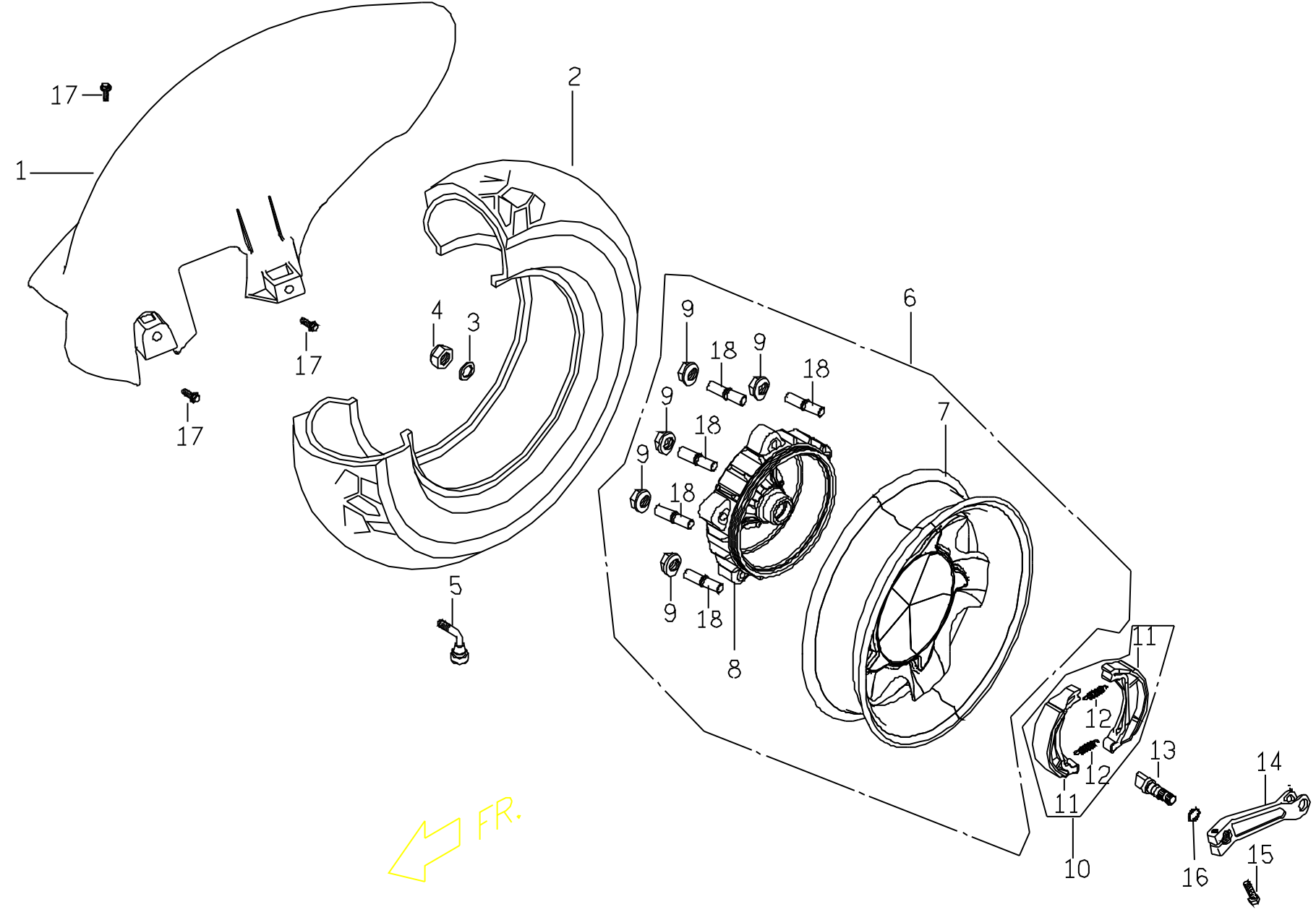
E11 空氣濾清器組合  
AIR CLEANER COMP.



E12 BUBU  
MUFFLER



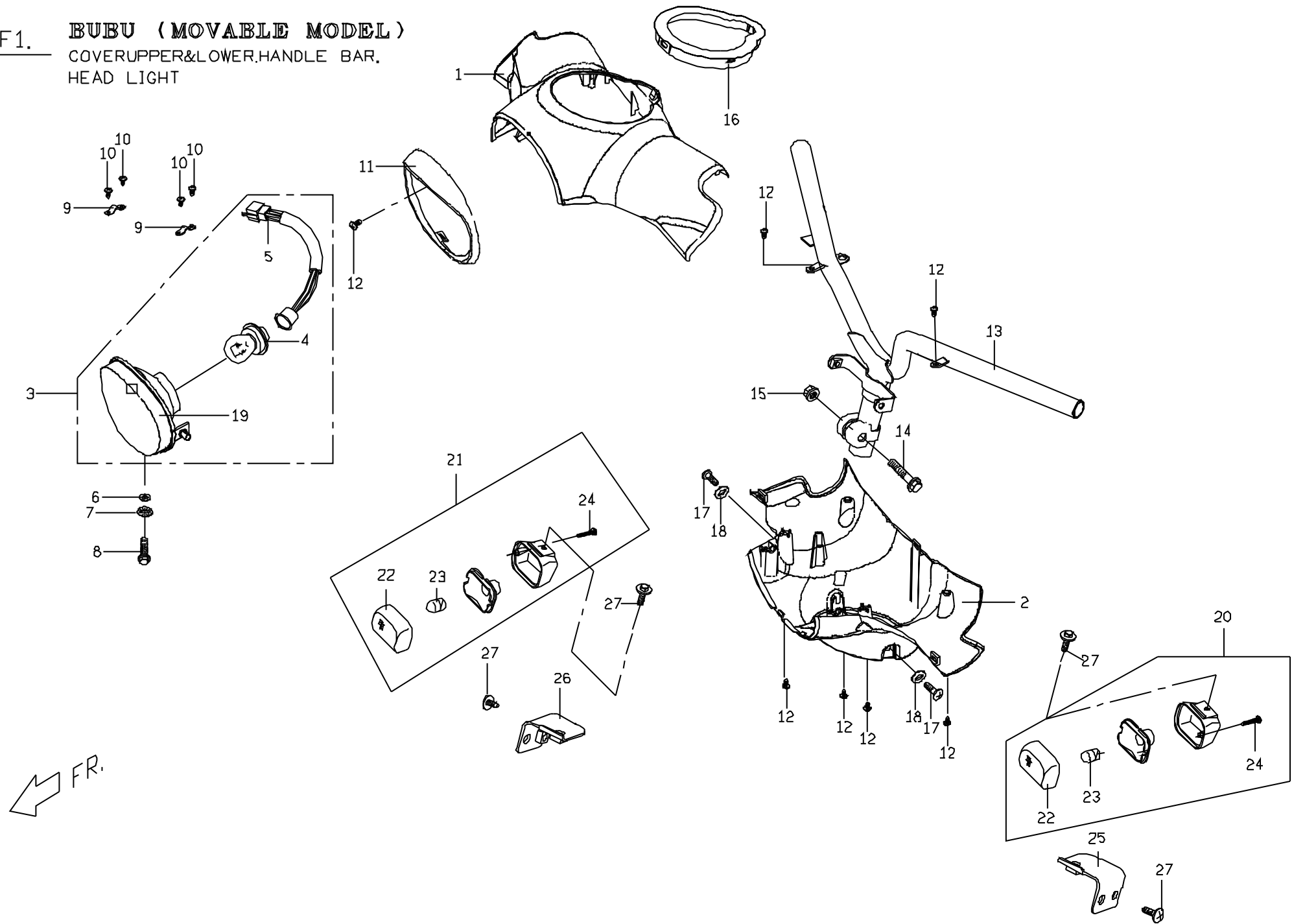
E13 REAR WHEEL



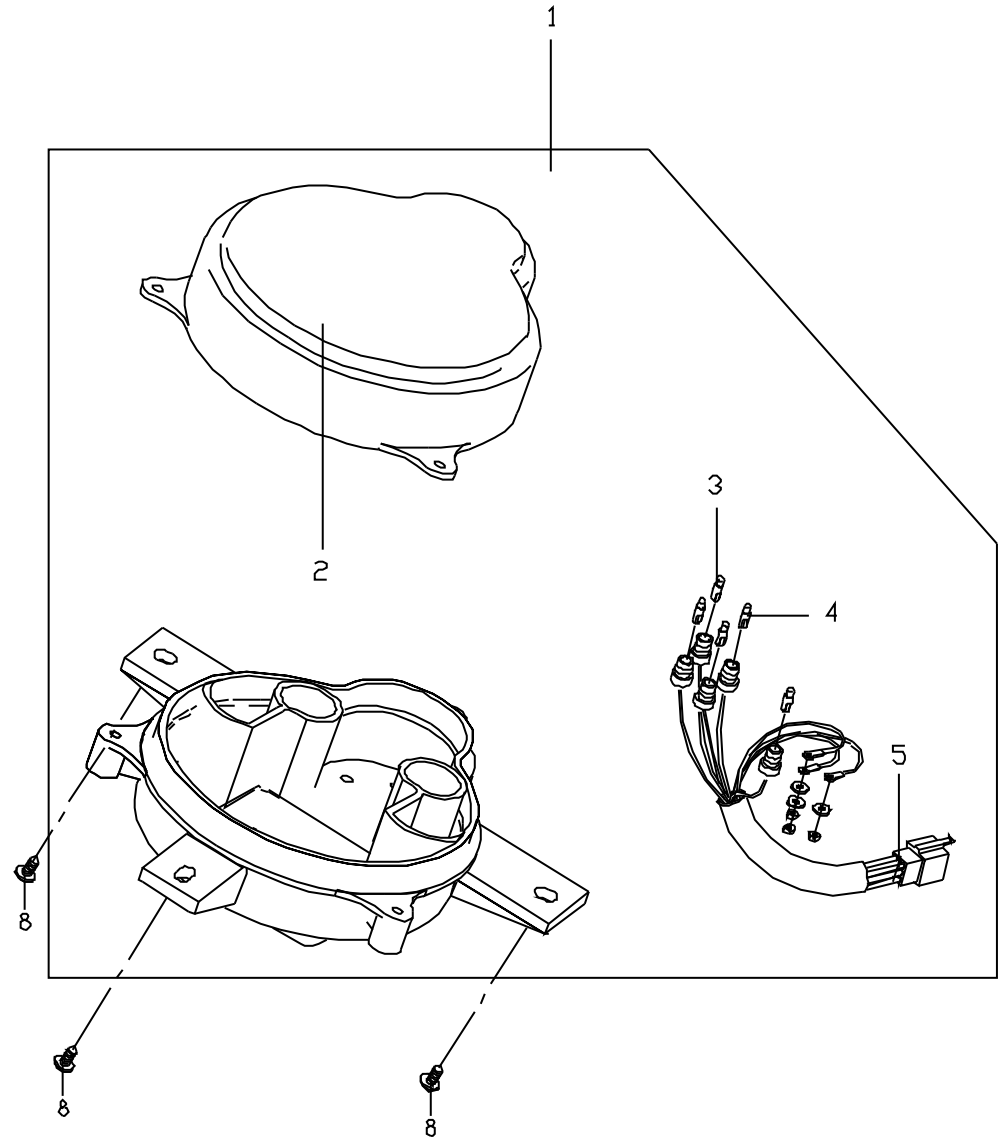
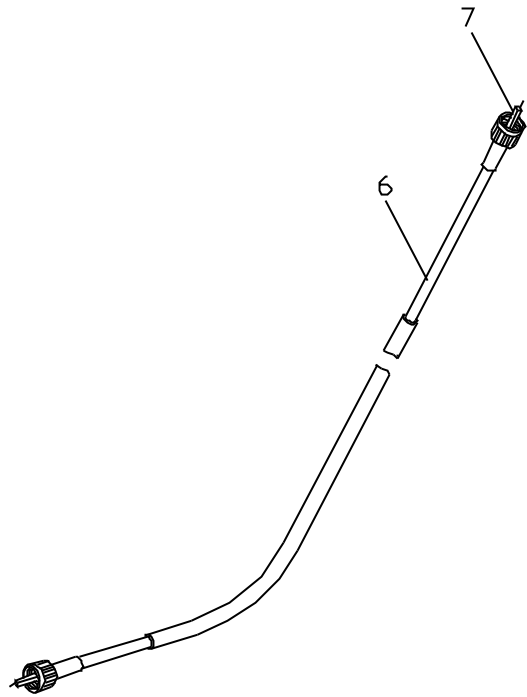
F1.

# BUBU (MOVABLE MODEL)

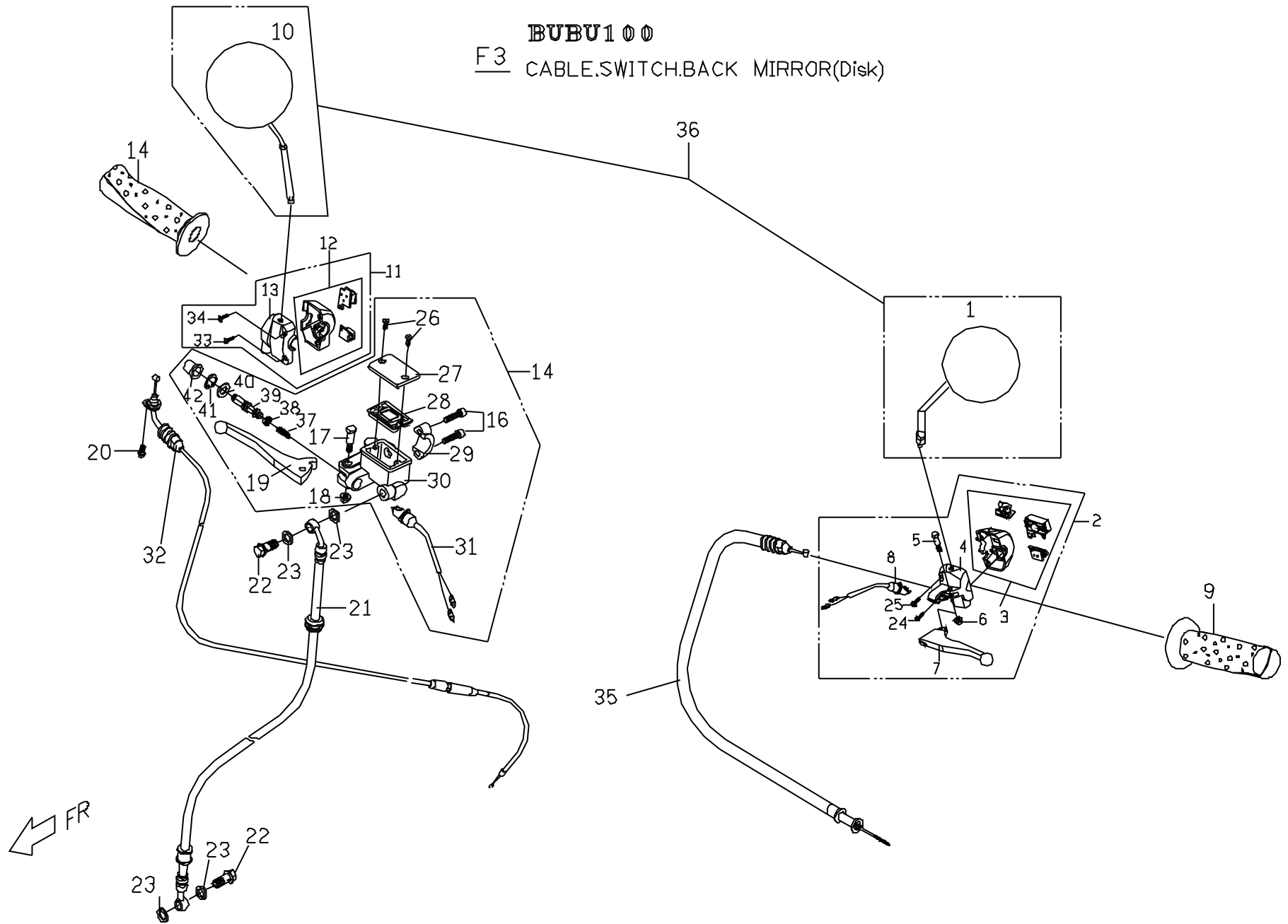
COVER UPPER & LOWER, HANDLE BAR, HEAD LIGHT



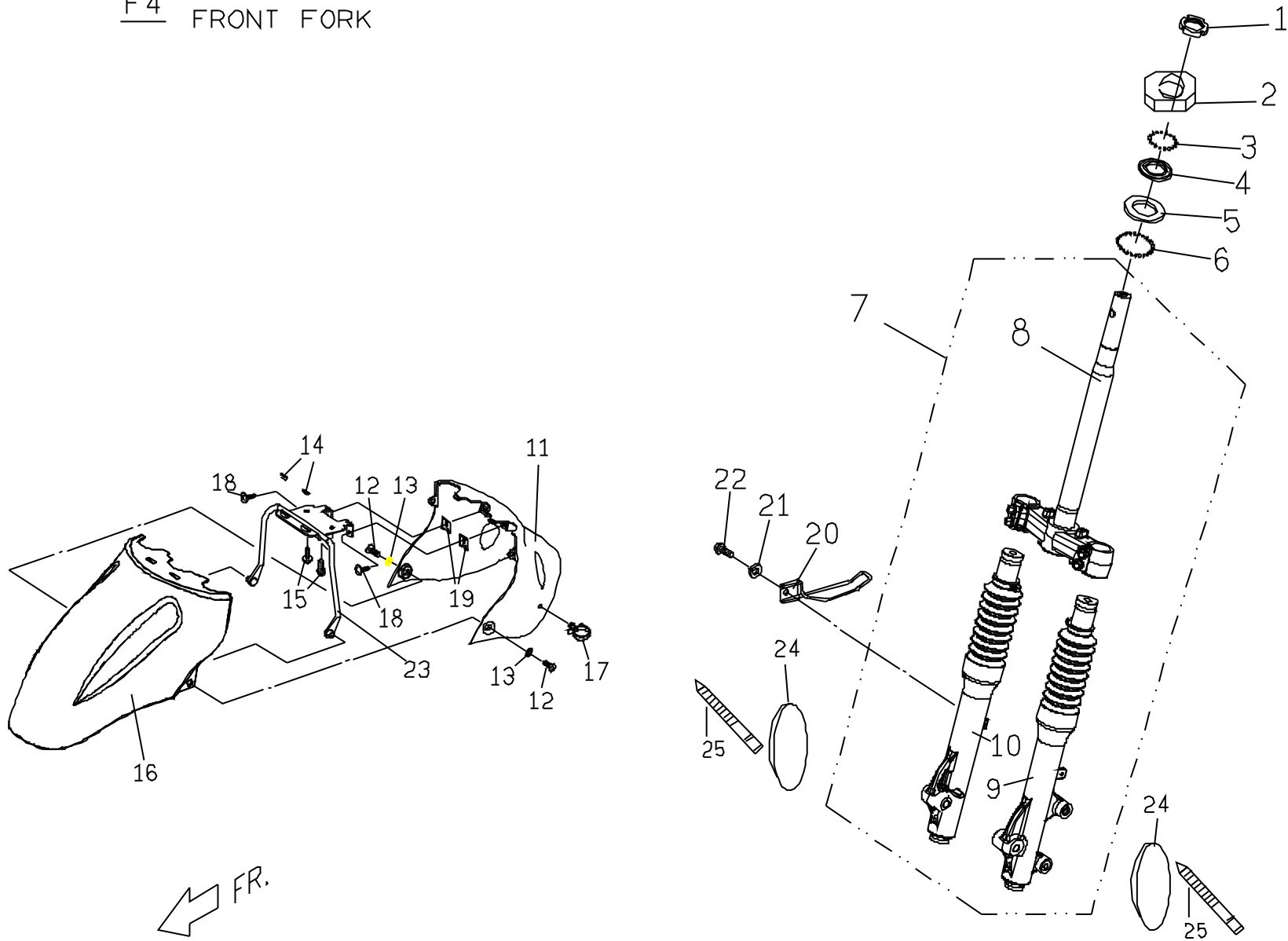
F2 BUBU100  
SPEEDOMETER



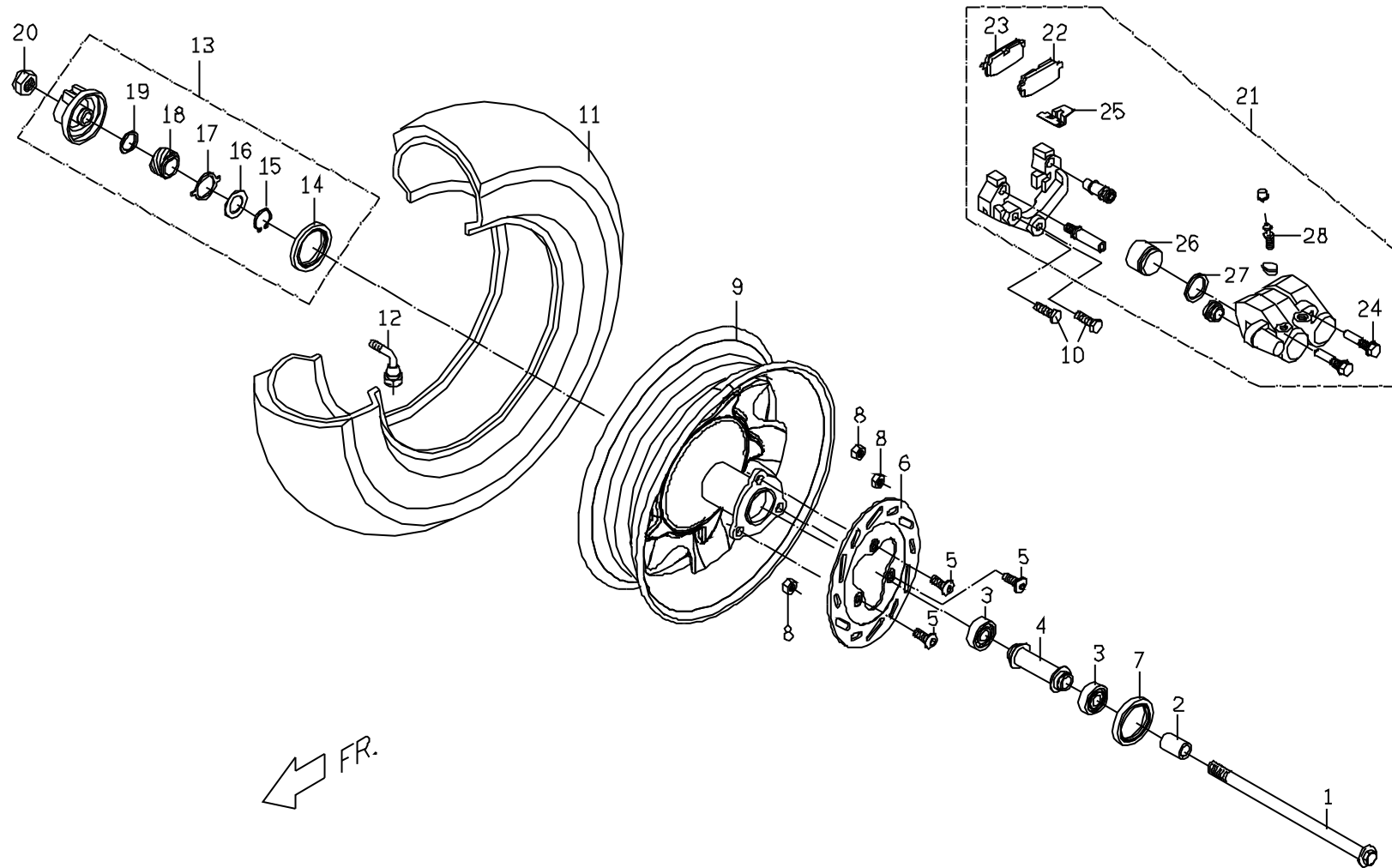
**BUBU100**  
F3 CABLE.SWITCH.BACK MIRROR(Disk)



F4 BUBU  
FRONT FORK

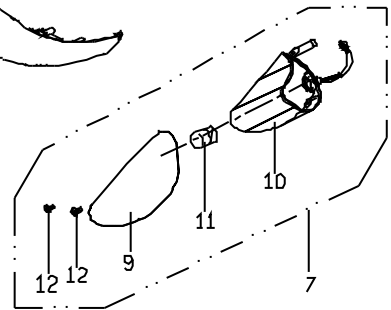
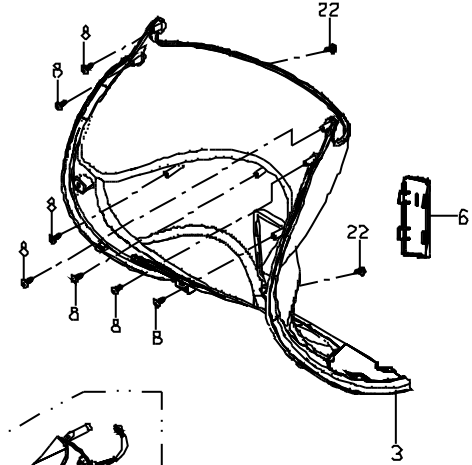
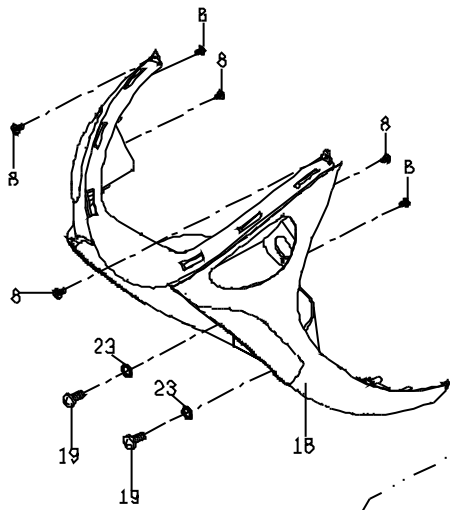
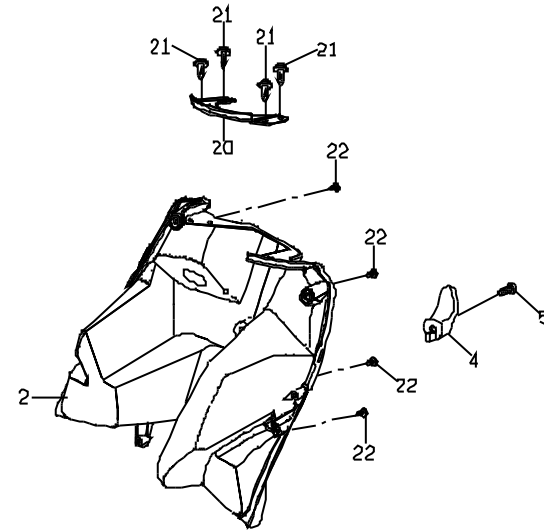
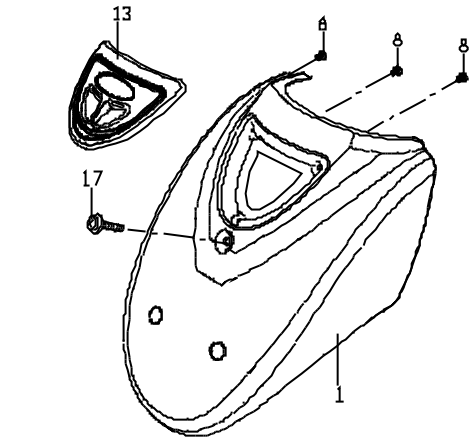
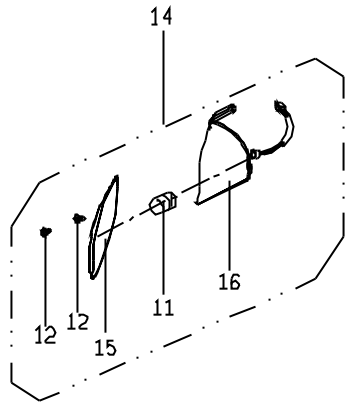


F5.2 TIRE.FRT WHEEL.FRT CALIPER.(DISK)



F6.2

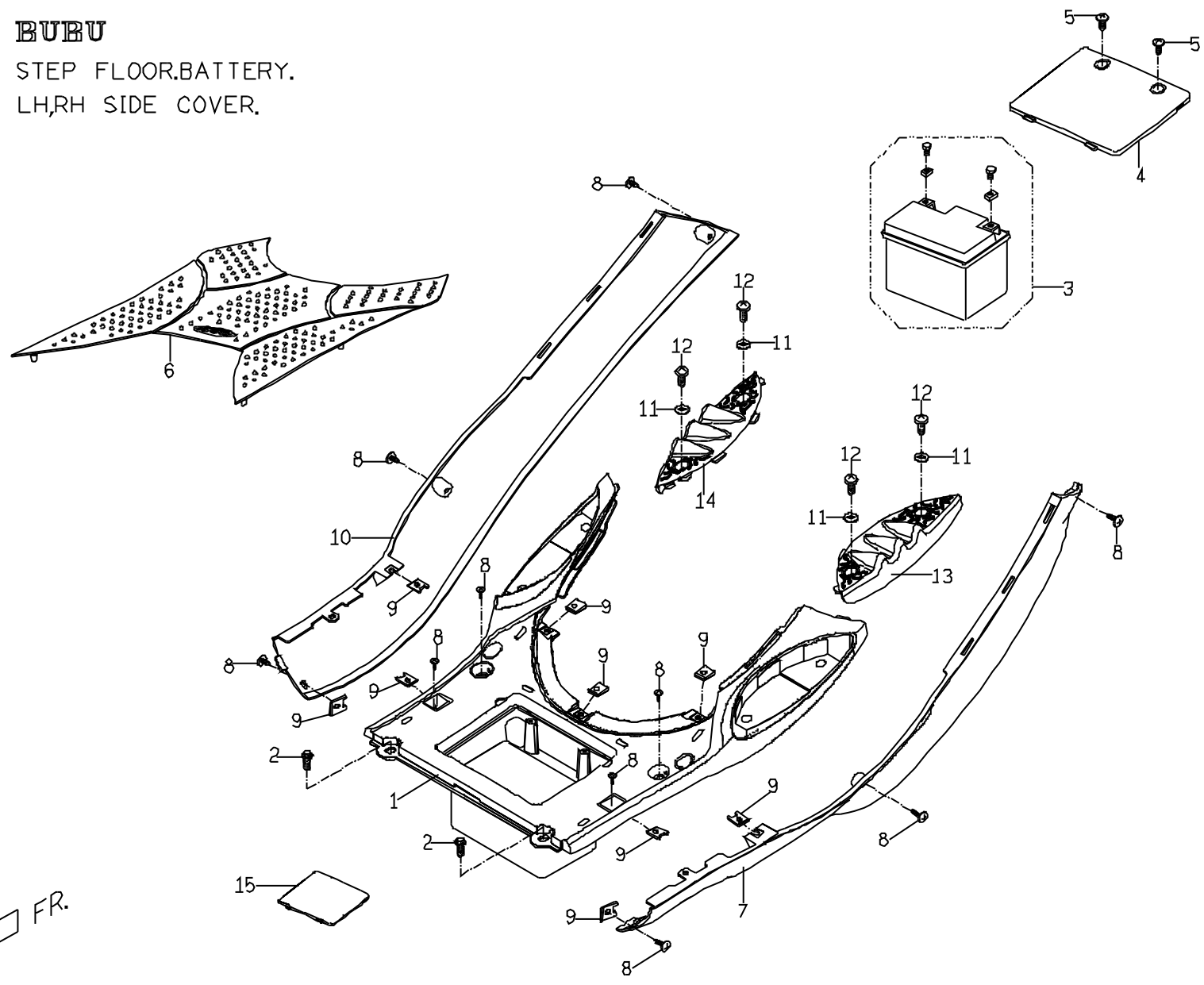
BUBU (FOR MOVABLE MODEL)  
WINDSHIELD.FRT INNER COVER.



FR.

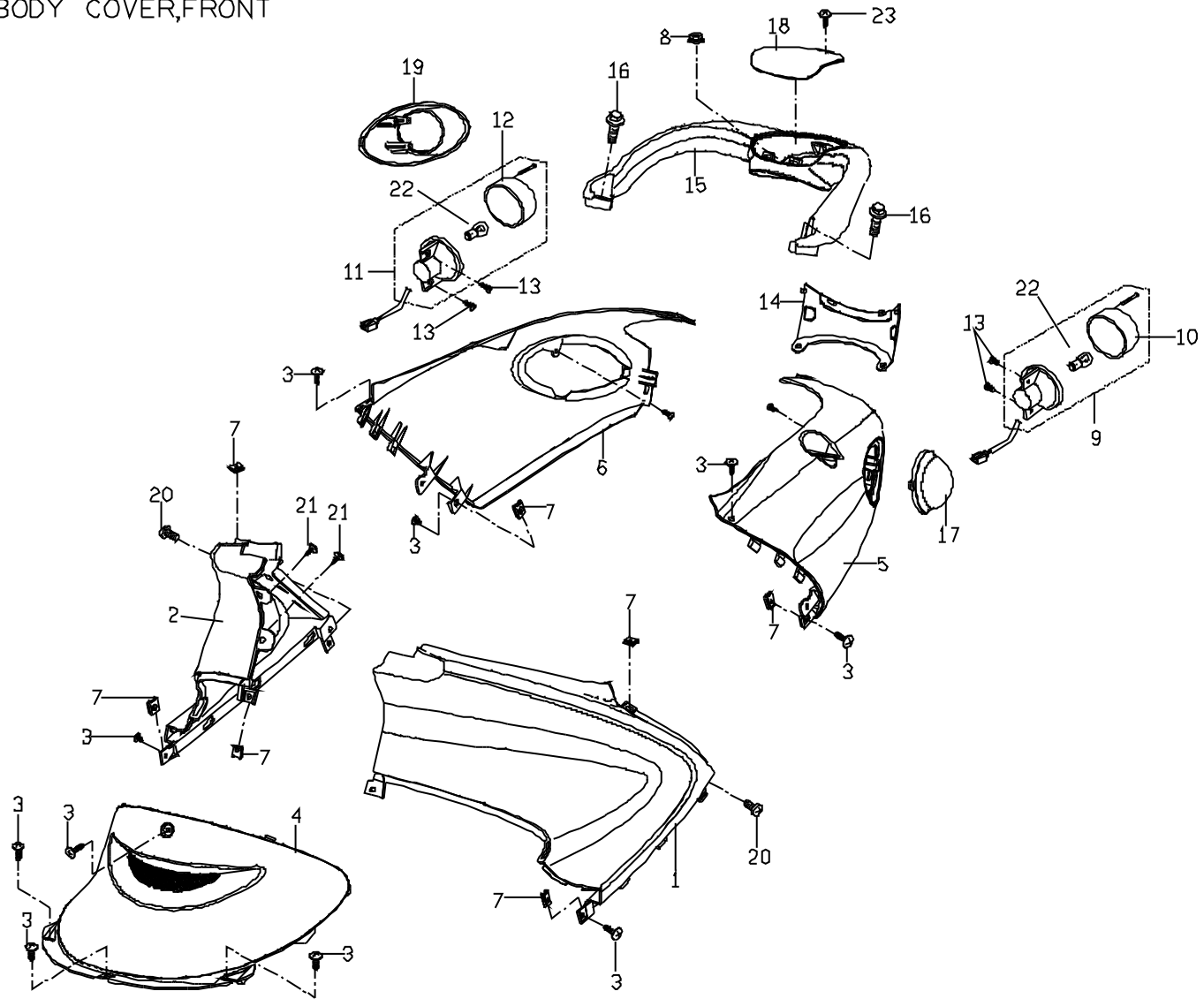
F7 **BUBU**  
STEP FLOOR.BATTERY.  
LH,RH SIDE COVER.

FR. 



F8 **BUBU**

BODY COVER, BODY COVER, FRONT  
RR LUGGAGE



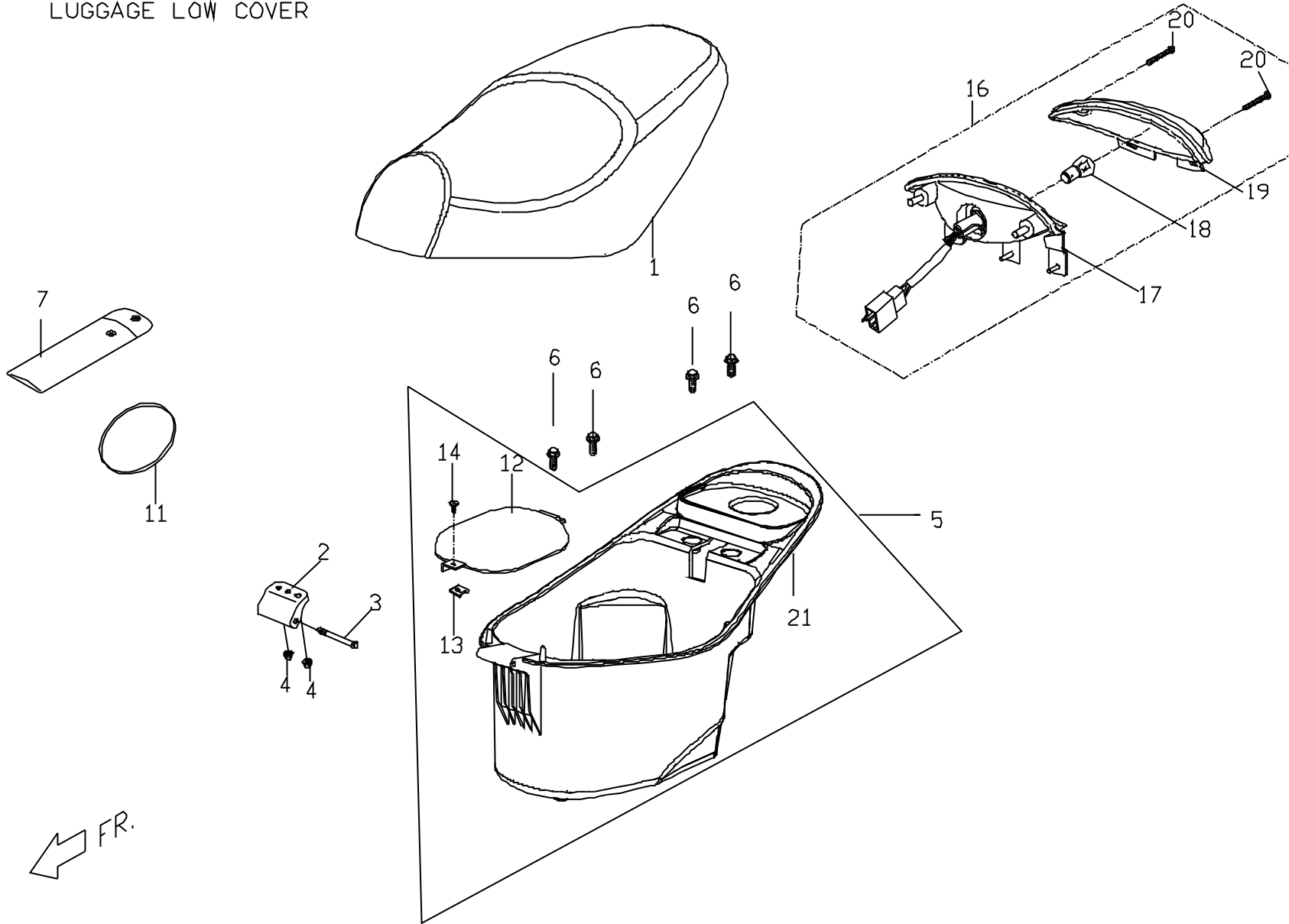
FR.

F9

BUBU

SEAT.LUGGAGE.TOOL KIT.

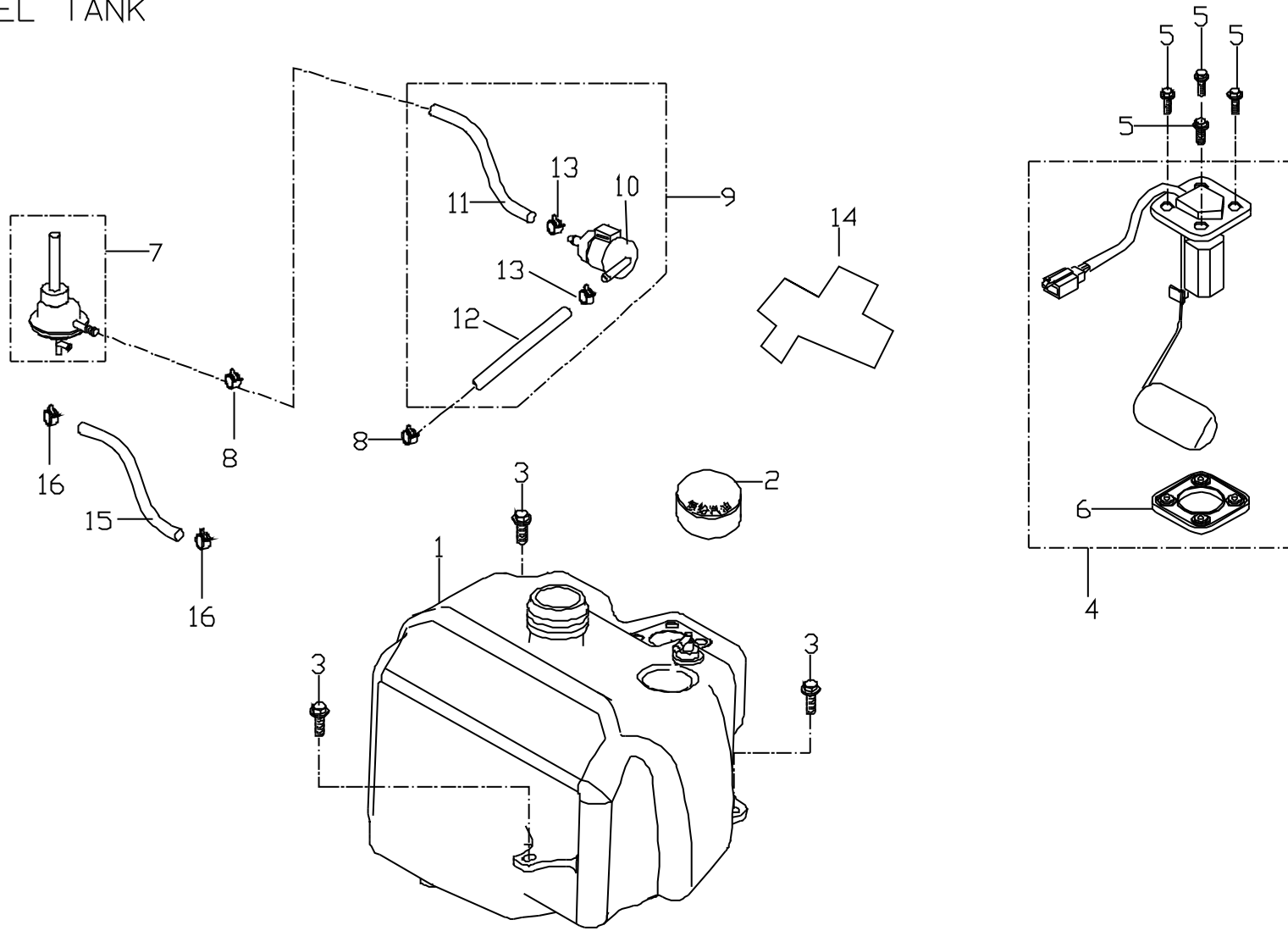
LUGGAGE LOW COVER



FR.

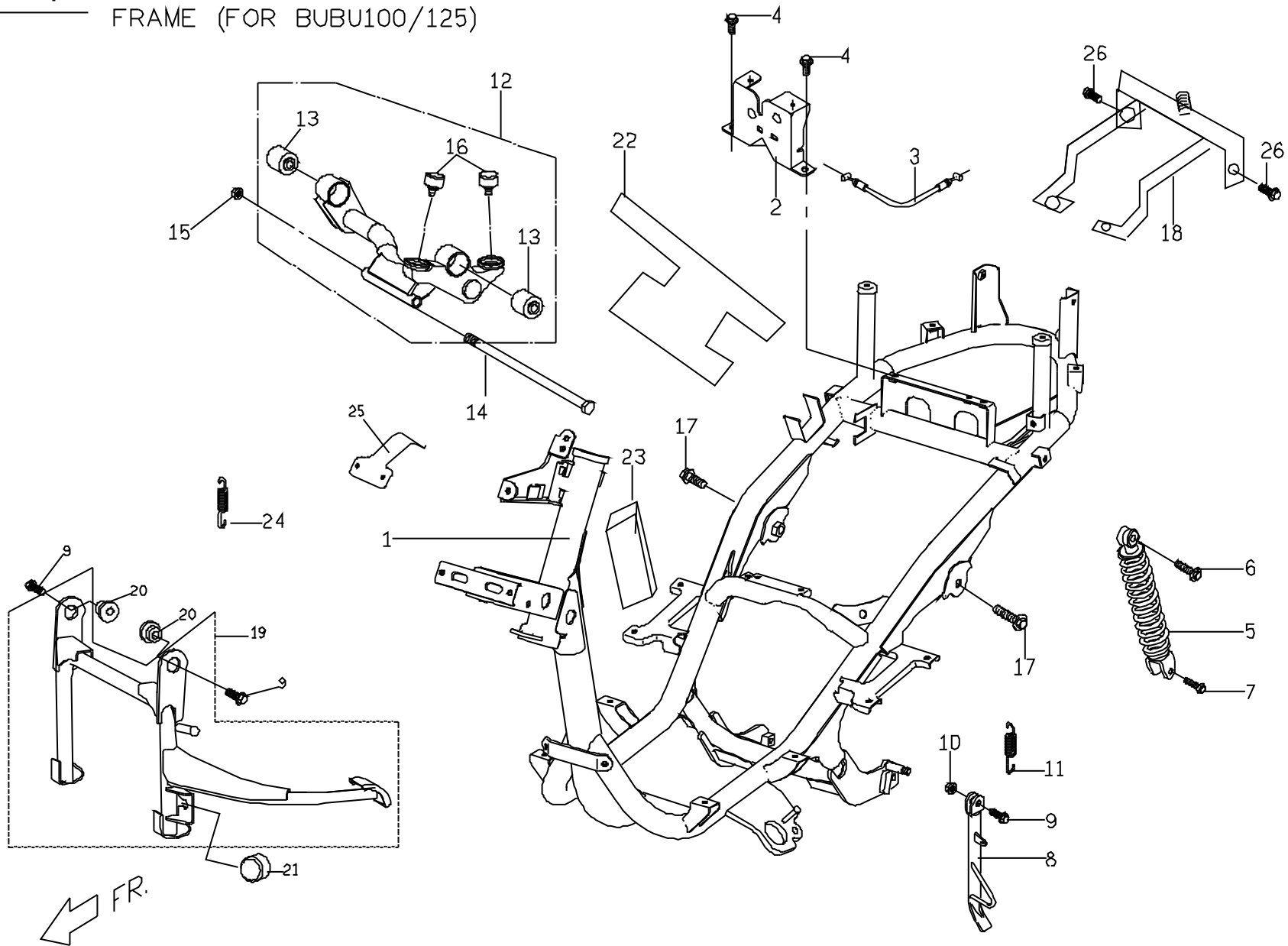


F11 BUBU  
FUEL TANK



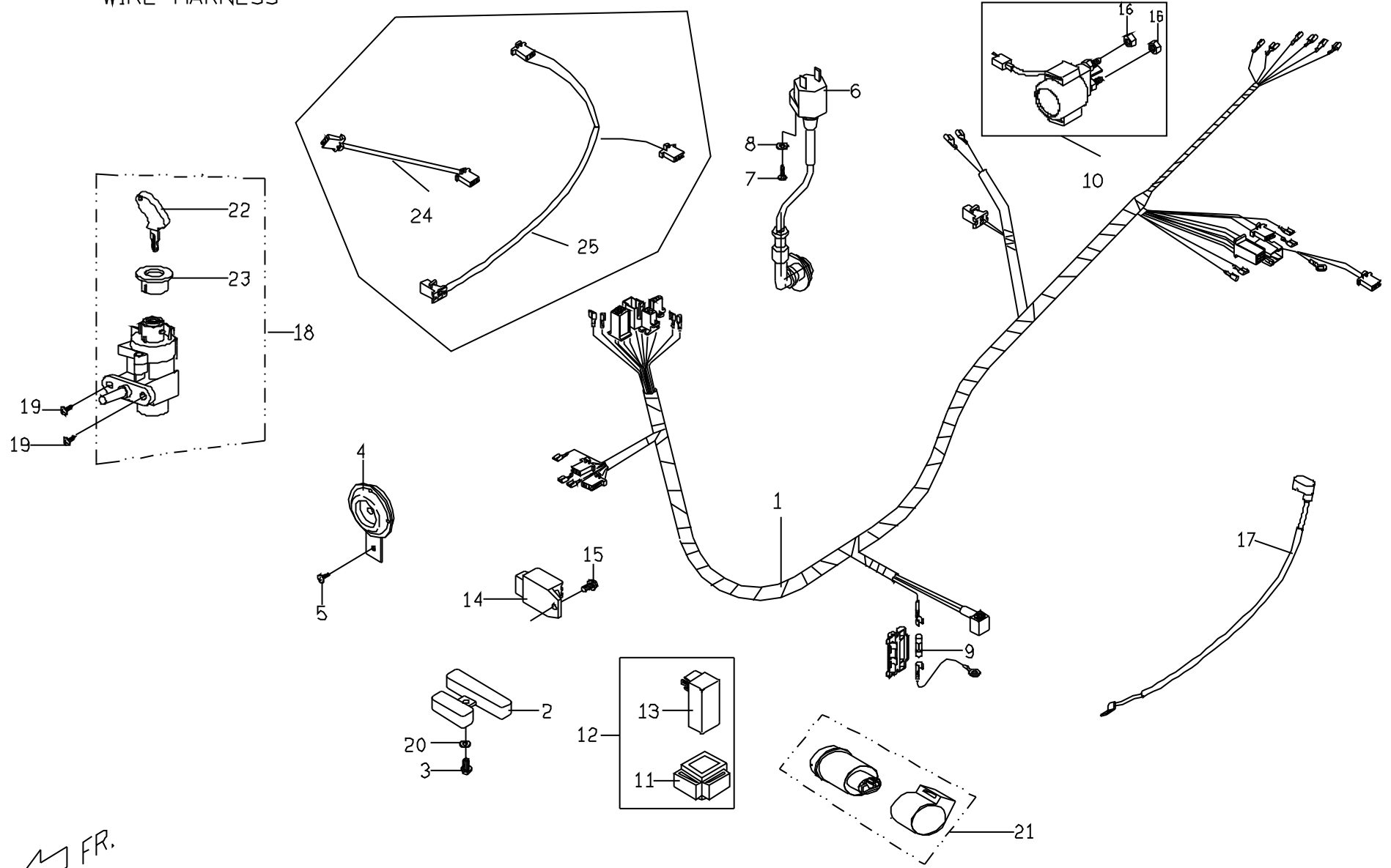
FR.

F12.2 **BUBU**  
FRAME (FOR BUBU100/125)



F13 **BUBU**  
WIRE HARNESS

OPTIONAL



← FR.

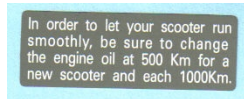
# F14. BUDDY-125 LABEL



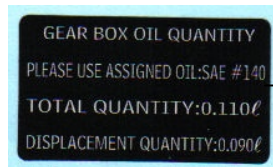
1



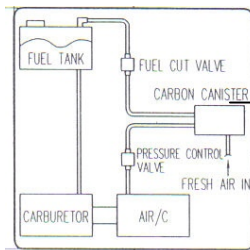
2



3



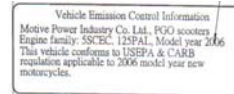
4



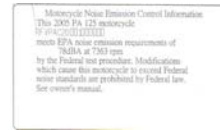
5



6



7



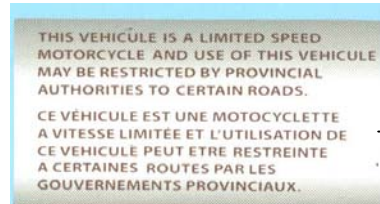
8

**Buddy**  
**125**

9



10



11

F15 燃料蒸發回C控制系統  
E.E.C SYSTEM

